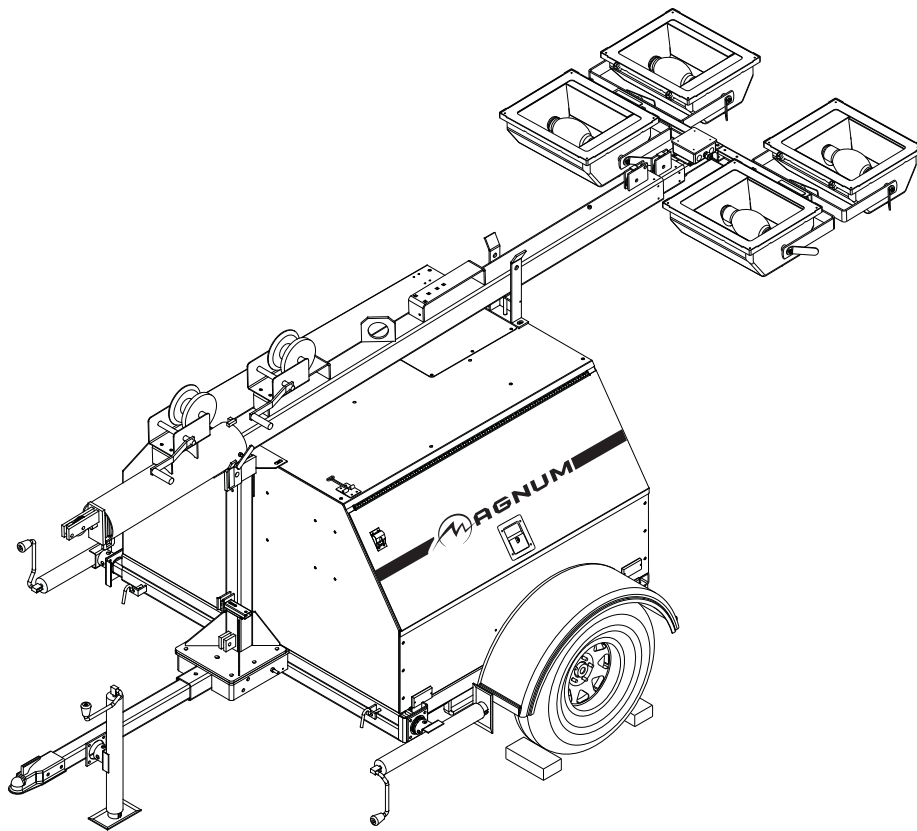




LIGHT TOWER
MLT5060 • MLT5080



OPERATING/PARTS MANUAL

This manual provides information and procedures to safely operate and maintain the engine and generator. For your own safety and protection from physical injury, carefully read, understand, and observe the safety instructions described in this manual. *The information contained in this manual was based on machines in production at the time of publication. Magnum Products LLC reserves the right to change any portion of this information without notice.*

DO NOT MODIFY or use this equipment for any application other than which it was designed for.

Magnum Products LLC recommends that a trained and licensed professional perform all electrical wiring and testing functions. Any wiring should be in compliance with the United States National Electric Code (NEC), state and local codes and Occupational Safety and Health Association (OSHA) guidelines.

Keep a copy of this manual with the unit at all times. Additional copies are available from Magnum Products LLC. An engine operators manual was also supplied with the unit at the time of shipment from the factory. The manual provides detailed operation and maintenance procedures for the engine. Additional copies of the engine operators manual are available from the engine manufacturer.

MAGNUM PRODUCTS LLC
215 Power Drive • Berlin, WI 54923
U.S.A.
Phone: 920-361-4442
FAX: 920-361-4416
Toll Free: 1-800-926-9768
www.m-p-llc.com

**When calling for Parts or Technical Service information,
please have your unit model number and serial number ready.**

Engine Make: _____
Engine Serial Number: _____
Engine Model Number: _____
Generator Make: _____
Generator Model Number: _____
Generator Serial Number: _____
Unit Model Number: _____
Unit Serial Number: _____

▲ WARNING

CALIFORNIA PROPOSITION 65 WARNING:

Diesel engine exhaust and some of its constituents are known to the state of California to cause cancer, birth defects and other reproductive harm.

TABLE OF CONTENTS

	Page
INTRODUCTION	2
TABLE OF CONTENTS	3
SAFETY NOTES	4
OPERATING SAFETY	4
ENGINE SAFETY	5
SERVICE SAFETY	5
TOWING SAFETY	6
UNIT SERIAL NUMBER LOCATIONS	6
SAFETY SYMBOL SUMMARY	7
SPECIFICATIONS	8 - 11
LIGHT TOWER SET UP	12
RAISING THE TOWER	12 - 14
MAIN CONTROL PANEL COMPONENTS	15
ENGINE STARTING AND OPERATION	16
AUTOMATIC SHUTDOWN	16
LIGHT OPERATION	17
AUXILIARY OUTLETS	17
VOLTAGE REGULATION (OPTIONAL)	17
DERATING FOR ALTITUDE	18
SHUTTING DOWN	18
LOWERING THE TOWER	18 - 19
TOWING THE TRAILER	19
LIFTING THE TRAILER	20
DAILY INSPECTION	20
TRAILER WHEEL BEARINGS	21
ENGINE MAINTENANCE	22
OPTIONAL LOWER RADIATOR HOSE HEATER USE AND MAINTENANCE	23
TROUBLESHOOTING THE LIGHTS	23
MAST LIGHT CONNECTIONS	24
UNIT DECALS	24 - 28
GENERATOR ASSEMBLY 6 kW	29
GENERATOR ASSEMBLY 8 kW	30
GENERATOR ASSEMBLY 8 kW WITH VOLTAGE REGULATION	31
MANUAL WINCH MAST ASSEMBLY	32 - 33
ELECTRIC WINCH MAST ASSEMBLY	34 - 35
ENCLOSURE ASSEMBLY	36 - 37
FRAME ASSEMBLY	38 - 40
MAST JUNCTION BOX ASSEMBLY, QUICK DISCONNECT LIGHTS	41
MAST JUNCTION BOX ASSEMBLY, HARD WIRED LIGHTS	42
MAST JUNCTION BOX ASSEMBLY, 6 LIGHT QUICK DISCONNECT	43
mitsubishi engine	44 - 45
KUBOTA ENGINE	46 - 47
CONTROL BOX AND PANEL ASSEMBLY	48 - 49
LIGHT ASSEMBLY	50 - 51
METAL HALIDE BALLAST BOX ASSEMBLY	52
HIGH PRESSURE SODIUM BALLAST BOX ASSEMBLY	53
WIRING DIAGRAMS	51 - 59

SAFETY NOTES



This is the safety alert symbol. It is used to alert you to potential personal injury hazards. Obey all safety messages that follow this symbol to avoid possible injury or death.

This manual contains DANGERS, WARNINGS, CAUTIONS, NOTICES and NOTES which must be followed to prevent the possibility of improper service, damage to the equipment, personal injury or death. The following formatting options will apply when calling the readers attention to the DANGERS, WARNINGS, CAUTIONS, NOTICES and NOTES.

▲ DANGER

INDICATES A HAZARDOUS SITUATION WHICH, IF NOT AVOIDED, WILL RESULT IN DEATH OR SERIOUS INJURY.

▲ WARNING

Indicates a hazardous situation which, if not avoided, could result in death or serious injury.

▲ CAUTION

Indicates a hazardous situation which, if not avoided, may result in minor or moderate injury.

NOTICE

Indicates a hazardous situation which, if not avoided, may result in property or equipment damage.

***Note:** Notes contain additional information important to a procedure and will be found within the regular text body of this manual.*

OPERATING SAFETY



Before using the light tower be sure you read and understand all of the instructions! This equipment was designed for specific applications; DO NOT modify or use this equipment for any application other than which it was designed for. Equipment operated improperly or by untrained personnel can be dangerous! Read the operating instructions and familiarize yourself with the location and proper use of all instruments and controls. Inexperienced operators should receive instruction from someone familiar with the equipment before being allowed to operate or set up the light tower. The following points should be practiced at all times:

- The area immediately surrounding the light tower should be dry, clean, and free of debris.
- Position and operate the light tower on a firm, level surface.
- **NEVER** start a unit in need of repair.
- Lower tower when not in use, or if high winds or electrical storms are expected in the area.
- Make certain light tower is well grounded and securely fastened to a good earthen ground.
- The tower extends up to 30 ft. (9m). Make sure area above trailer is open and clear of overhead wires and obstructions.
- Bulbs become extremely hot in use! Allow bulb and light fixture to cool 10-15 minutes before handling.
- Keep area behind trailer clear of people while raising and lowering mast!
- **NEVER** raise, lower or turn mast while unit is operating!
- Trailer must be leveled and outriggers extended before raising tower. Outriggers must remain extended while tower is up.
- If for any reason any part of mast hangs up or winch cable develops slack while raising or lowering tower, STOP immediately! Contact an authorized service representative.
- **NEVER** remove safety pin or pull mast locking pin while tower is up!
- **NEVER** use tower if insulation on electrical cord is cut or worn through.
- **NEVER** operate lights without protective lens cover in place or with a lens cover that is cracked or damaged!

ENGINE SAFETY



Internal combustion engines present special hazards during operation and fueling! Failure to follow the safety guidelines described below could result in severe injury or death. Also read and follow all safety warnings described in the Engine Operator's Manual. A copy of this manual was supplied with unit when it was shipped from the factory.

- **DO NOT** run engine indoors or in an area with poor ventilation unless exhaust hoses are used. Diesel engine exhaust contains carbon monoxide, a deadly, odorless and colorless gas which, if inhaled, can cause nausea, fainting or death. Make sure engine exhaust cannot seep into closed rooms or ventilation equipment.
- **DO NOT** fill fuel tank near an open flame, while smoking, or while engine is running. **DO NOT** fill tank in an enclosed area with poor ventilation.
- **DO NOT** operate with the fuel tank cap loose or missing.
- **DO NOT** touch or lean against hot exhaust pipes or engine cylinders.
- **DO NOT** clean air filter with gasoline or other types of low flash point solvents.
- **DO NOT** remove engine coolant cap while engine is hot.
- Keep area around exhaust pipes and air ducts free of debris to reduce the chance of an accidental fire.
- Prolonged exposure to sound levels in excess of 85 DBA can cause permanent hearing loss. Wear hearing protection when working around a running engine. **DO NOT operate the unit without a functional exhaust system.**
- Batteries contain sulfuric acid which can cause severe injury or death. Sulfuric acid can cause eye damage, burn flesh or eat holes in clothing. Protective eye wear and clothing are necessary when working on or around the battery. Always disconnect the NEGATIVE (-) battery cable from the corresponding terminal before performing any service on the engine or other components.
- Shut the engine down if any of the following conditions exist during operation:
 1. Noticeable change in engine speed.
 2. Loss of electrical output.
 3. Equipment connected to the generator overheats.
 4. Sparking occurs.
 5. Engine misfires or there is excessive engine/generator vibration.
 6. Operating on a combustible surface.
 7. Protective covers are loose or missing.
 8. If the ambient air temperature is above 110° F.

SERVICE SAFETY



This unit uses high voltage circuits capable of causing serious injury or death. Only a qualified electrician should troubleshoot or repair electrical problems occurring in this equipment.

- Before servicing light tower, make sure the engine start switch is turned to OFF, circuit breakers are open (off) and the negative terminal on the battery is disconnected. **NEVER** perform even routine service (oil/filter changes, cleaning, etc.) unless all electrical components are shut down.
- **NEVER** allow water to accumulate around the base of the light tower. If water is present, **DO NOT** service!
- **NEVER** service electrical components if clothing or skin is wet. If the unit is stored outside, check the engine and generator for any moisture and dry the unit before use.
- **NEVER** wash the unit with a power washer or high pressure hose.
- Open main circuit breaker before disconnecting battery cables.
- Keep hands, feet, and loose clothing away from moving parts on generator and engine.
- Make sure slings, chains, hooks, ramps, jacks, and other types of lifting devices are attached securely and have enough weight-bearing capacity to lift or hold the equipment safely. Always remain aware of the position of other people around you when lifting the equipment.

TOWING SAFETY



Towing a trailer requires care! Both the trailer and vehicle must be in good condition and securely fastened to each other to reduce the possibility of an accident. Also, some states require that large trailers be registered and licensed. Contact your local Department of Transportation office to check on license requirements for your particular unit.

- Check that the hitch and coupling on the towing vehicle are rated equal to, or greater than, the trailer's "gross vehicle weight rating" (GVWR).
- Check tires on trailer for tread wear, inflation, and condition.
- Inspect the hitch and coupling for wear or damage. **DO NOT** tow trailer using defective parts!
- Make sure the trailer hitch and the coupling are compatible. Make sure the coupling is securely fastened to the vehicle.
- Connect safety chains in a crossing pattern under the tongue and attach the breakaway cable **TO THE REAR BUMPER OF THE TOWING VEHICLE**. Do not attach the cable to the trailer hitch.
- Make sure directional and brake lights on the trailer are connected and working properly.
- Check that all lug nuts holding wheels on are tight and that none are missing.
- Maximum recommended speed for highway towing is 45 m.p.h. Recommended off-road towing speed is not to exceed 10 m.p.h. or less depending on terrain.

When towing, maintain extra space between vehicles and avoid soft shoulders, curbs and sudden lane changes. If you have not pulled a trailer before, practice turning, stopping, and backing up in an area away from heavy traffic.

A film of grease on the coupler will extend coupler life and eliminate squeaking. Wipe the coupler clean and apply fresh grease each time the trailer is towed.

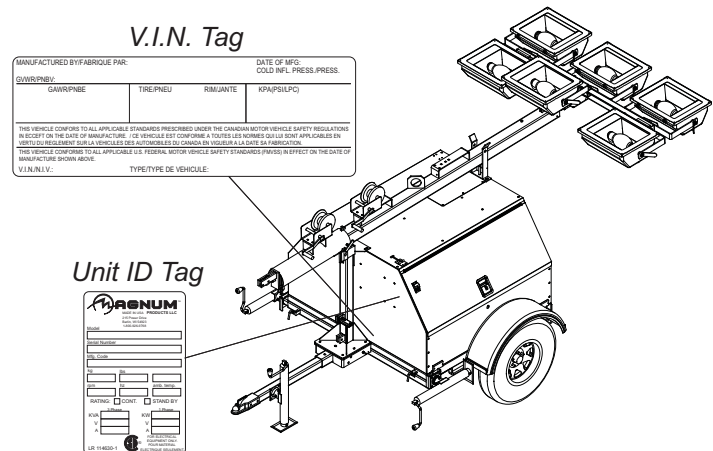
REPORTING TRAILER SAFETY DEFECTS

If you believe your trailer has a defect which could cause a crash or could cause injury or death, you should immediately inform the National Highway Traffic Safety Administration (NHTSA) in addition to notifying Magnum Products LLC. If NHTSA receives similar complaints, it may open an investigation; and if it finds that a safety defect exists in a group of vehicles, it may order a recall and remedy campaign. However, NHTSA cannot become involved in individual problem between you, your dealer, or Magnum Products LLC.

To contact NHTSA, you may either call the Auto Safety Hotline toll-free at 1-888-327-4236 or by fax at: (202)-366-7882. Additional contact information can be found at: www.nhtsa.dot.gov.

UNIT SERIAL NUMBER LOCATIONS

Refer to the locations illustrated to find the unit ID tag, and trailer ID tag on your unit. Important information, such as the unit serial number, model number and Vehicle Identification Number (V.I.N.) for your trailer are found on these tags. Record the information from these tags, so it is available if the tags are lost or damaged. When ordering parts or requesting technical service information, you may be asked to specify this information.



SAFETY SYMBOL SUMMARY

This equipment has been supplied with numerous safety and operating decals. These decals provide important operating instructions and warn of dangers and hazards. Replace any missing or hard-to-read decals and use care when washing or cleaning the unit. Decal placement and part numbers can be found in the beginning of the parts section of this manual. Below is a summary of the intended meanings for the symbols used on the decals.

 <p>Safety alert symbol; Used to alert you to potential personal injury hazards.</p>	 <p>Asphyxiation hazard; Operate in well ventilated area.</p>
 <p>Hot surface(s) nearby.</p>	 <p>Dangerous voltage may be present.</p>
 <p>Belt/entanglement hazard; Keep body parts clear of this area.</p>	 <p>Anchor/tie down point.</p>
 <p>Fan hazard; Keep body parts clear of this area.</p>	 <p>Forklift here only.</p>
 <p>Crush hazard; Keep body parts clear of this area.</p>	 <p>Use clean diesel fuel only.</p>
 <p>Ultraviolet radiation hazard; Operate only with lens intact.</p>	 <p>Burn/scald hazard; pressurized steam.</p>
 <p>Stop engine before fueling.</p>	 <p>Read and understand the supplied operator's manual before operating unit.</p>
 <p>Fire/explosion hazard; Keep open flames away from unit.</p>	 <p>Unit electrical ground.</p>
 <p>Lift here only.</p>	

SPECIFICATIONS

Read this manual carefully before attempting to use this light tower. The potential for property damage, personal injury or death exists if this equipment is misused or installed incorrectly. Read all of the manuals included with this unit. Each manual details specific information regarding items such as set up, use and service requirements. Specifications are subject to change without notice.

MAGNUM MODEL

MLT 5060

Engine

Make/Brand	MITSUBISHI	KUBOTA
Model	L3E-W461ML (start S#081485)	D905-E3BG
Type	Diesel, liquid cooled, 4-stroke	Diesel, liquid cooled, 4-stroke
Horsepower - prime hp (kW)	10.5 (7.8)	10.5 (7.8)
Horsepower - standby hp (kW)	12.2 (9.1)	11.9 (8.9)
Operating Speed rpm	1800	1800
Displacement in³ (L)	57.97 (0.95)	54.92 (.90)
Cylinders - qty	3	3
Fuel Consumption - 100% prime gph (Lph)	0.52 (1.97)	0.50 (1.89)
Battery Type - Group Number	24	24
Battery Voltage (Quantity per Unit)	12V (1)	12V (1)
Battery Rating	440 CCA	440 CCA

Generator

Make/Brand	Marathon Electric	Marathon Electric
Model	201CSA5411	201CSA5411
Type, Insulation	Brushless, F	Brushless, F

Generator Set (Engine/Generator)

Output kW (kVA)	6.0 (6.0)	6.0 (6.0)
Output Voltage V	120/240, single phase	120/240, single phase
Output Amperes 120V (240V) A	50 (25)	50 (25)
Frequency Hz	60	60
Power Factor	1 (1Ø)	1 (1Ø)

Weights

Dry Weight lbs (kg)	1771 (803)	1816 (824)
Operating Weight lbs (kg)	1920 (871)	1965 (891)

Capacities

Fuel Tank Volume gal (L)	30 (114)	30 (114)
Usable Fuel Volume gal (L)	30 (114)	30 (114)
Coolant (incl. engine) qt (L)	4.5 (4.3)	4.8 (4.5)
Oil (incl. filter) qt (L)	3.8 (3.6)	5.4 (5.1)
Maximum Run Time hrs	58	60

AC Distribution

Circuit Breaker Size	30	30
Voltage Regulation	Capacitor +/-6%	Capacitor +/-6%
Voltages Available 1Ø	120, 240	120, 240

SPECIFICATIONS

Read this manual carefully before attempting to use this light tower. The potential for property damage, personal injury or death exists if this equipment is misused or installed incorrectly. Read all of the manuals included with this unit. Each manual details specific information regarding items such as set up, use and service requirements. Specifications are subject to change without notice.

MAGNUM MODEL

MLT 5060

Lighting

Lighting Type Metal Halide
Ballast Type Coil & Core
Lumens 440,000
Coverage **acres (m²)** 5 - 7 (20,234 - 28,328)

Dimensions

Length w/ mast stowed **in (m)** 170 (4.32)
Width **in (m)** 80 (2.03)
Width w/ outriggers extended **in (m)** 151 (3.84)
Height w/ mast stowed **in (m)** 70 (1.78)
Maximum height of tower **ft (m)** 30 (9.14)

Trailer

Number of Axles 1
Capacity - Axle Rating **lbs (kg)** 3500 (1588)
Tire Size **in** 15
Hitch - Standard 2" Ball
Maximum Tire Pressure **psi** 50

SPECIFICATIONS ARE SUBJECT TO CHANGE WITHOUT NOTICE.

SPECIFICATIONS

Read this manual carefully before attempting to use this light tower. The potential for property damage, personal injury or death exists if this equipment is misused or installed incorrectly. Read all of the manuals included with this unit. Each manual details specific information regarding items such as set up, use and service requirements. Specifications are subject to change without notice.

MAGNUM MODEL

MLT 5080

Engine

Make/Brand	MITSUBISHI
Model	L3E-W461ML
Type	Diesel, liquid cooled, 4-stroke
Horsepower - prime hp (kW)	10.5 (7.8)
Horsepower - standby hp (kW)	12.2 (9.1)
Operating Speed rpm	1800
Displacement in³ (L)	57.97 (0.95)
Cylinders - qty	3
Fuel Consumption - 100% prime gph (Lph)	0.63 (2.38)
Battery Type - Group Number	24
Battery Voltage (Quantity per Unit)	12V (1)
Battery Rating	440 CCA

Generator

Make/Brand	Marathon Electric
Model	332CSA5211
Type, Insulation	Brushless, F

Generator Set (Engine/Generator)

Output kW (kVA)	7.3 (7.3)
Output Voltage V	120/240, single phase
Output Amperes 120V (240V) A	61 (30)
Frequency Hz	60
Power Factor	1 (1Ø)

Weights

Dry Weight lbs (kg)	1791 (812)
Operating Weight lbs (kg)	1940 (880)

Capacities

Fuel Tank Volume gal (L)	30 (114)
Usable Fuel Volume gal (L)	30 (114)
Coolant (incl. engine) qt (L)	4.5 (4.3)
Oil (incl. filter) qt (L)	3.8 (3.6)
Maximum Run Time hrs	48

AC Distribution

Circuit Breaker Size	40
Voltage Regulation	Capacitor +/-6%
Voltages Available 1Ø	120, 240

SPECIFICATIONS

Read this manual carefully before attempting to use this light tower. The potential for property damage, personal injury or death exists if this equipment is misused or installed incorrectly. Read all of the manuals included with this unit. Each manual details specific information regarding items such as set up, use and service requirements. Specifications are subject to change without notice.

MAGNUM MODEL

MLT 5080

Lighting

Lighting Type	Metal Halide
Ballast Type	Coil & Core
Lumens	440,000
Coverage acres (m²)	5 - 7 (20,234 - 28,328)

Dimensions

Length w/ mast stowed in (m)	170 (4.32)
Width in (m)	80 (2.03)
Width w/ outriggers extended in (m)	151 (3.84)
Height w/ mast stowed in (m)	70 (1.78)
Maximum height of tower ft (m)	30 (9.14)

Trailer

Number of Axles	1
Capacity - Axle Rating lbs (kg)	3500 (1588)
Tire Size in	15
Hitch - Standard	2" Ball
Maximum Tire Pressure psi	50

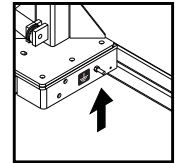
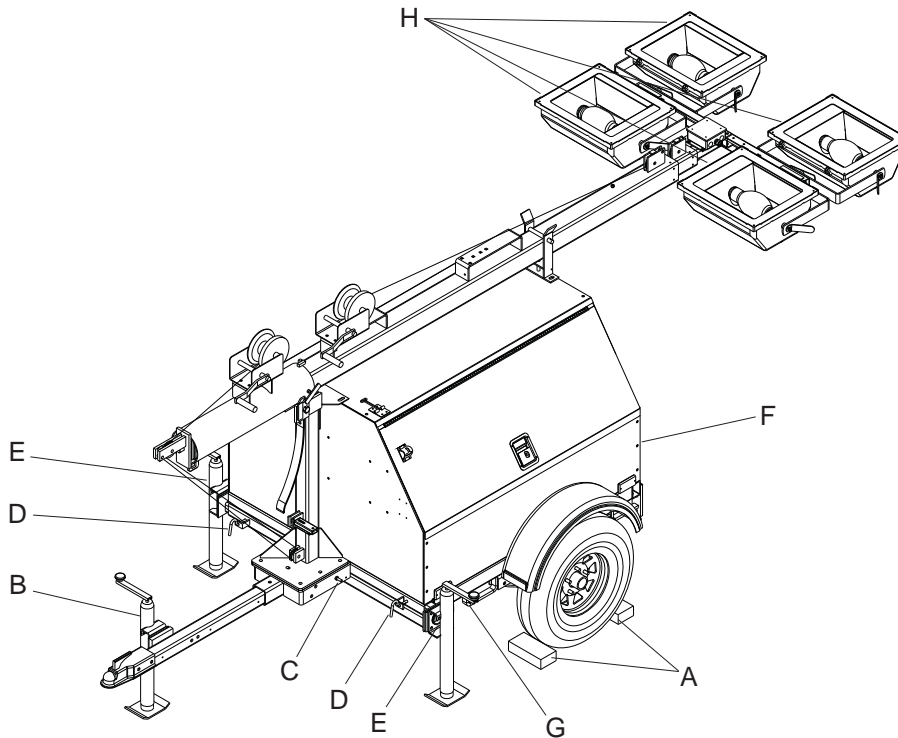
SPECIFICATIONS ARE SUBJECT TO CHANGE WITHOUT NOTICE.

LIGHT TOWER SET UP

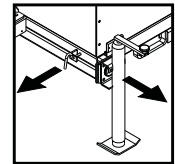
1. For maximum light coverage locate tower at ground level or in a spot higher than the area being illuminated by the lamps.

⚠ WARNING

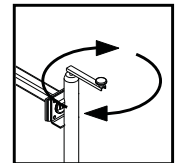
The tower extends up to 30 ft (9.14 m). Make sure area above the trailer is open and clear of overhead wires and obstructions.



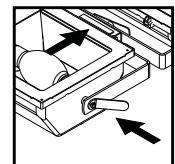
DETAIL C



DETAIL D



DETAIL G



DETAIL H

2. Place the trailer on firm ground that is relatively flat. This will make it easier to level the tower. Block the wheels on the trailer to keep it from moving (A).
3. Pull the locking pin on the tongue jack and rotate it 90° until the spring loaded pin snaps back into place (B). Turn the jack handle clockwise to raise the trailer tongue off of the towing vehicle.
4. Connect a good earthen ground to the grounding stud on the frame of the trailer near the trailer tongue (C).
5. Pull the locking pins (D) on the outriggers (E) and pull the outriggers out until the spring loaded locking pin snaps back into place. Pull the locking pin on the outrigger jacks and rotate them 90° until the spring loaded pin snaps back into place.
6. Pull the locking pin on the rear jack (F) and rotate it 90° until the spring loaded pin snaps back into place. Turn the jack handle clockwise to start leveling the trailer. Adjust all four jacks by turning their handles clockwise until they are firmly in contact with the ground and the trailer is as level as possible (G).
7. Before raising the tower it may be necessary to adjust the lamps. The lamps may be adjusted up, down, left or right by loosening the wing bolts on the lamp fixture (H) and aiming them in the desired direction. Tighten the hardware completely and make sure the lamps are connected to the junction box.

RAISING THE TOWER

⚠ WARNING

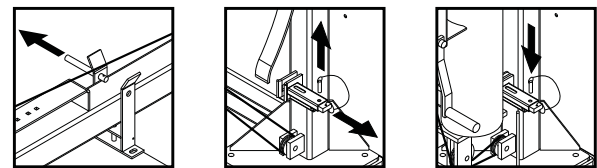
The trailer must be leveled with the outriggers extended before raising the tower. The outriggers must remain extended while the tower is up. Failure to level the trailer or extend the outriggers will severely reduce the stability of the unit and could allow the tower to tip and fall.

1. Remove the mast cradle locking pin from the mast cradle (I).
2. Check both sets of mast cables for excessive wear or damage. Make sure the cables are properly centered in each pulley (J). Check the electrical cord for damage.

⚠ WARNING

Do not start the unit if the insulation on the electrical cord is cut or worn through. Bare wires in contact with the mast or frame may energize the trailer and cause electrocution. Repair or replace cord.

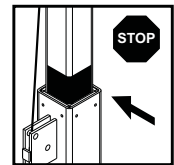
3. Make sure the area behind the unit is clear before raising the mast to the vertical position.
4. Remove the safety pin (K) from the mast lock bar (L). Using the handle for the lower mast winch (M), raise the mast until it is vertical and the tab on the mast is positioned into the mast lock. The mast lock bar should snap into place automatically. Secure the lock with the safety pin (N).
5. After the mast is up and locked into place, use the upper mast winch (O) to telescope the tower to the desired height. Extend the mast slowly, making sure that the electrical cord is extending at the top sections of the mast. If, for any reason, the winch cable begins to develop slack or any of the tower sections get stuck, STOP IMMEDIATELY and contact an authorized service center.



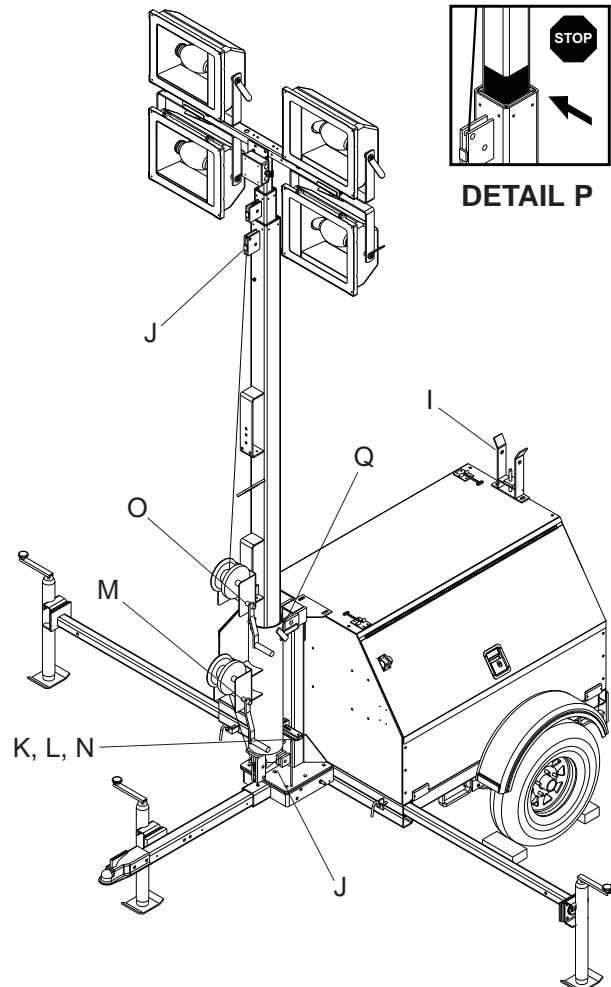
DETAIL I

DETAIL K

DETAIL N



DETAIL P



⚠ CAUTION

Do not extend the mast beyond the colored mark on the middle mast tube (P).

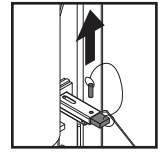
6. The mast can be rotated by loosening the locking knob at the bottom of the mast (Q). Turn the mast until the lights face in the desired direction and then tighten the knob.

⚠ WARNING

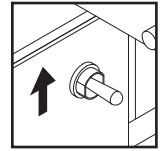
Never raise or lower the mast while the unit is operating! Never remove the safety pin or mast lock while the tower is up. Releasing the lock will cause the mast to fall.

RAISING THE TOWER WITH THE OPTIONAL ELECTRIC WINCH

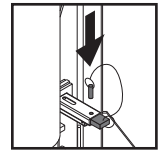
1. Set up and level the trailer as described on page 10, and follow steps 1-3 on page 11.
2. Remove the safety pin from the mast lock bar (R).
3. Press the lower winch control toggle switch upward to raise mast into the vertical position (S). Hold switch until the mast lock is engaged. The mast lock bar should snap into place automatically. **Note:** On light towers equipped with the electric winch option, a limit switch on the mast tube will disconnect power to the lower electric winch to prevent deadheading the winch.
4. Secure the lock with the safety pin (T).
5. Press and hold the upper winch control toggle switch upward to telescope the mast to desired height (U). Extend the mast slowly, making sure that the coiled electrical cord is extending at the top sections of the mast. If, for any reason, the winch cable begins to develop slack or any of the tower sections get stuck, STOP IMMEDIATELY and contact an authorized service center.



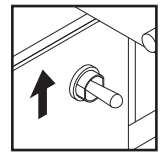
DETAIL R



DETAIL S



DETAIL T

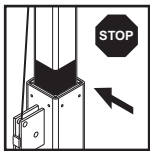


DETAIL U

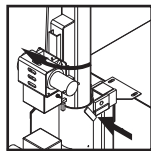
⚠ CAUTION

Do not extend the mast beyond the colored mark on top of the lower mast section (V). On light towers equipped with the electric winch option, a limit switch on the main mast section will disconnect power to the upper electric winch to prevent over extending the mast.

6. The mast can be rotated by loosening the locking knob at the bottom of the mast (W). Turn the mast until the lights face in the desired direction and then tighten the knob.



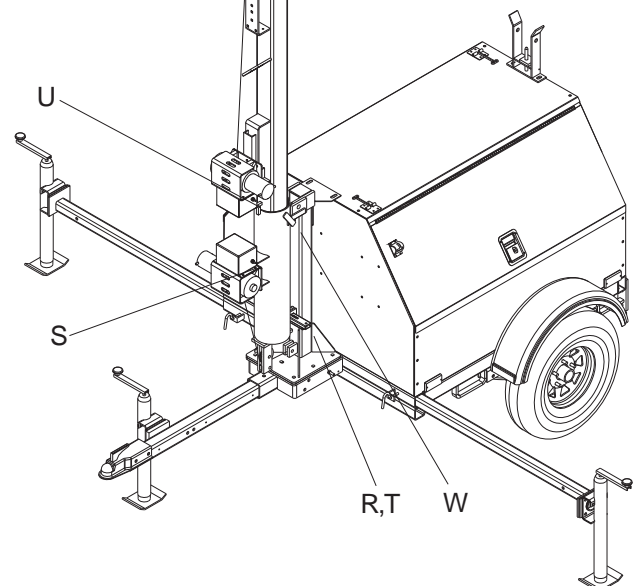
DETAIL V



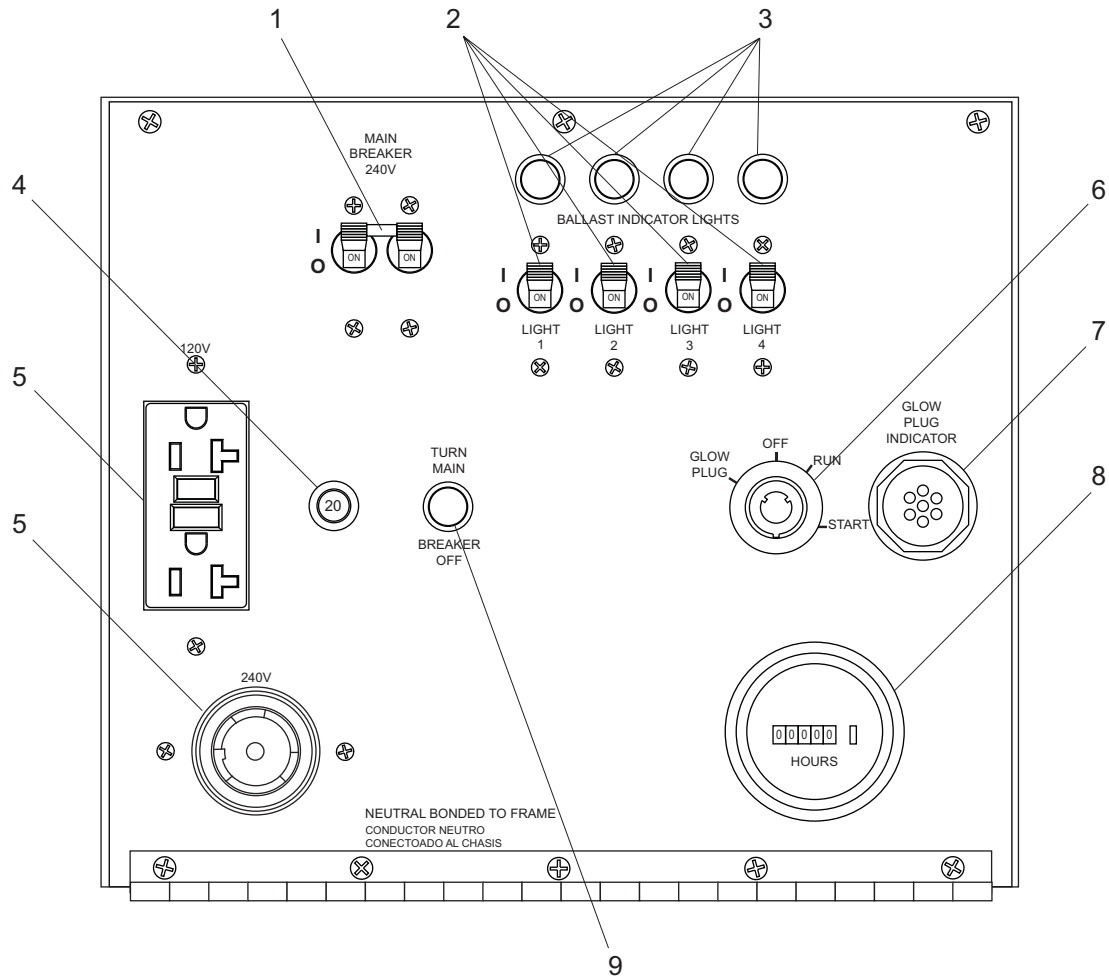
DETAIL W

⚠ WARNING

Never raise or lower the mast while the unit is operating! Never remove the safety pin or mast lock while the tower is up. Releasing the lock will cause the mast to fall.



MAIN CONTROL PANEL COMPONENTS



1. **MAIN CIRCUIT BREAKER (30A or 40A):** This breaker will disconnect power to the lights and auxiliary outlets. It will also disable the starting circuit if engine starting is attempted when the main breaker is on.
2. **INDIVIDUAL CIRCUIT BREAKERS:** One breaker is supplied for each light.
3. **BALLAST INDICATOR LIGHTS:** Indicates power from the ballast to each light.
4. **OUTLET CIRCUIT BREAKER:** This breaker is supplied for the standard 120V GFCI outlet.
5. **AUXILIARY OUTLETS:** These supply power for accessories connected to the generator when the engine is running and the main circuit breaker is switched to the ON "I" position.
6. **ENGINE STARTING SWITCH:** Keyed switch operates glow plugs, starts and stops engine.
7. **ENGINE GLOW PLUG INDICATOR:** Indicates operation of the engine glow plugs on certain engines.
8. **ENGINE HOUR METER:** Keeps track of engine hours for service.
9. **CIRCUIT BREAKER INDICATOR LIGHT:** This light indicates that the main circuit breaker must be opened (switched off) before starting the engine.

ENGINE STARTING AND OPERATION

1. Check engine oil, fuel and coolant levels. **Note:** *If the engine was run out of fuel or the fuel tank was drained, it may be necessary to bleed the fuel lines. Refer to the engine operation manual supplied with the unit.*
2. Check the condition of the electrical cord on the inside of the unit.

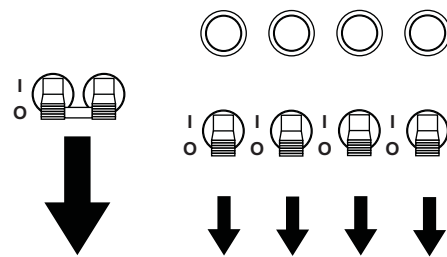
⚠ WARNING

Do not start the unit if the insulation on the electrical cord is cut or worn through. Bare wires in contact with the mast or frame may energize the trailer and cause electrocution. Repair or replace cord.

3. Check that the main circuit breaker and individual circuit breakers for each of the lights are in the OFF "O" position. **Note:** *If the red light on the control panel "TURN MAIN BREAKER OFF" is illuminated when the key is turned to the START position, the breaker is closed (switched on).*

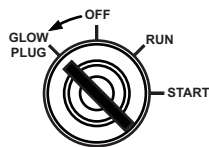
⚠ WARNING

NEVER START THE ENGINE WITH ANY OF THE CIRCUIT BREAKERS SWITCHED ON! Any load on the generator during start up will cause severe damage or destroy the generator!

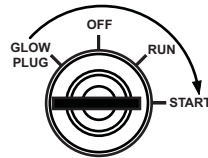


4. Turn the key on the engine start switch to the left GLOW PLUG position and hold the key in place until the glow plug indicator turns red. As soon as it is glowing, turn the key to the right to the START position and hold it until the engine cranks and starts running. Release the key, it will move to the RUN position.

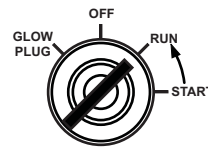
ACTIVATE GLOW PLUGS



CRANK ENGINE TO START



RELEASE KEY



NOTICE

Do not crank the engine longer than 10 seconds at a time. If the engine will not start, wait 30 seconds to allow the starter motor to cool and then repeat the starting procedure. Excessive cranking will cause damage to the starter.

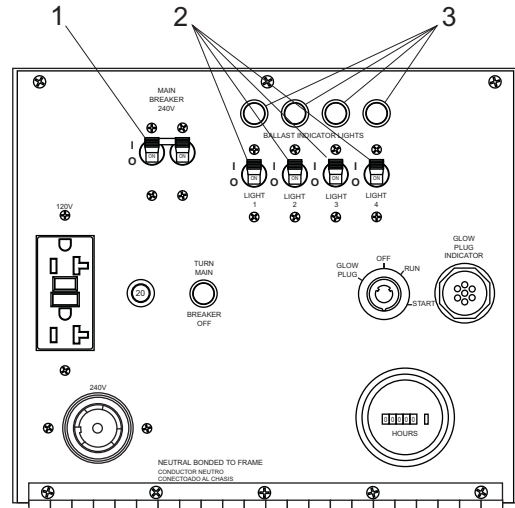
5. **Note:** *If oil pressure is not obtained within 30 seconds after the key is switched to the RUN position, the low-oil automatic shutdown will turn off the fuel supply, stopping the engine. Check the oil level and turn the key to the OFF position to reset the oil pressure timer before attempting to restart the engine.*
6. Once the engine is running, allow it to reach normal operating temperature before switching on any loads.

AUTOMATIC SHUTDOWN

This unit is equipped with a low oil pressure and high coolant temperature auto-shutdown system. This system will automatically shut off the fuel supply to stop the engine if oil pressure drops too low or the engine exceeds normal operating temperature. Return the switch to the OFF position to reset the unit after you have determined the cause of the shutdown.

LIGHT OPERATION

- Once the engine is up to temperature and running smoothly, switch main circuit breaker (1) to the ON "I" position.
- With main circuit breaker on, switch each individual circuit breaker for the lights (2) to ON "I", one at a time.
- The ballast indicator lights (3) will come on momentarily as the lights strike. As the lights warm up, the ballast indicator lights will continue to get brighter and then remain on. This confirms that power is coming from the ballasts to the lights.
- If an indicator light does not come on, the ballast may need to be serviced. If the indicator light comes on and stays lit but the related light is not illuminated, check the bulb or the mast wiring.
- The lights require a warm up period of 5-15 minutes before they reach full output. If the lights are shutdown, they require a cool-down period of approximately 10 minutes before they can be switched on again.
- The light tower uses four 1000W bulbs. When checking or replacing the bulbs, wipe them with a clean cloth to avoid leaving any grease, oil residue or fingerprints on the glass. Any residue can create a hot spot on the bulb, causing premature bulb failure.



⚠ WARNING

NEVER OPERATE THE LIGHTS WITHOUT THE PROTECTIVE LENS COVER OR WITH A LENS COVER THAT IS CRACKED OR DAMAGED! The bulbs in the light fixtures produce high temperatures and operate under pressure. A broken or missing lens cover could cause the bulbs to shatter, causing injury.

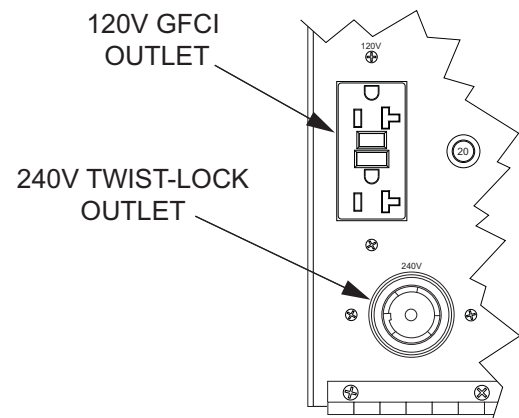
⚠ WARNING

Bulbs become extremely hot in use! Allow bulb fixture to cool 10-15 minutes before handling.

AUXILIARY OUTLETS

The control panel is equipped with two outlets for running accessories or tools from the generator. Power is supplied to the outlets any time the engine is running and the main circuit breaker is switched ON "I". **Note:** Do not pull more than 1000W from each outlet when the lights are on. This will overload the generator and cause the main circuit breaker to trip. Should the breaker trip, switch off the lights, remove some of the load to the outlets and wait 10 minutes for the bulbs to cool before turning them back on.

With all of the lights off, the full generator output may be used with the optional 240V twist-lock outlet.



VOLTAGE REGULATION (OPTIONAL)

Some units may be equipped with an electronic voltage regulator. This voltage regulator controls the output of the generator by regulating the current into the exciter field. The regulator has three screwdriver adjustable potentiometers that may be adjusted for voltage, stability and under frequency (U/F). If equipped, the voltage regulator on your unit is adjusted before shipment from the factory. Contact Magnum Products LLC for additional information before attempting to adjust the voltage regulator.

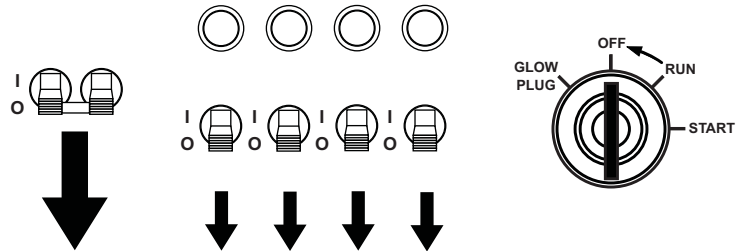
DERATING FOR ALTITUDE

All light towers are subject to derating for altitude and temperature. Although derating should not affect the operation of the lights, it will reduce the available power for operating tools and accessories connected to the auxiliary outlets. Typical reductions in performance are 2-4% for every 1000 ft. (305 m) of elevation and 1% per 10° F (3-5° C) increase in ambient air temperature over 72° F (22.2° C).

SHUTTING DOWN

When you have finished using the light tower proceed with shut down as follows:

1. Remove any loads from the auxiliary outlets.
2. Switch the individual circuit breakers for each light to the OFF "O" position.
3. Switch the main circuit breaker to the OFF "O" position.
4. Turn the ENGINE START SWITCH to the OFF position.



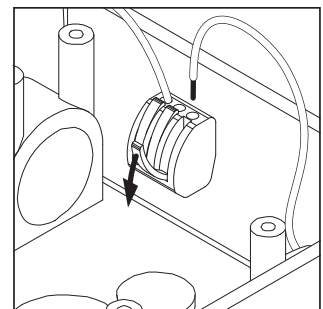
LOWERING THE TOWER

1. Shut down the lights and engine. Allow the lights to cool 10-15 minutes before lowering the tower.
2. Turn the upper mast winch handle to collapse the tower to its lowest position. Make sure the coiled electrical cord returns to the storage tube properly.

⚠ WARNING

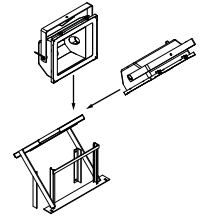
If the mast hangs up or the winch cable begins to develop slack, STOP IMMEDIATELY! Excess slack in the cable could cause the mast to collapse should it free up without warning. Contact an authorized service center.

3. Loosen the mast rotation knob and rotate the tower so the mast mounted winches face the front of the unit. The white alignment arrow points should line up on the mast sections and the metal stop tabs should be touching. Tighten the mast rotation knob.
4. Release the mast lock by pulling the safety pin on the mast lock and pulling the lock free. Turn the handle of the lower mast winch until the mast spring begins to pivot the tower down. Release the mast lock and continue to lower the tower until it rests in the cradle. **Note:** *If the mast lock does not pull free, operate lower winch slightly to relieve pressure on the mast lock.*
5. After the mast is completely down, insert the cradle lock pin and secure it with the safety pin.
6. Position lights to aim at the ground. If the trailer is going to be moved, Magnum Products LLC strongly recommends that the lights be removed from the mast and stowed for transportation. On units equipped with quick disconnect fittings for the lights, disconnect the power cords from the junction box at the top of the mast. Replace the dust caps on the junction box. On other units, remove the junction box cover on the top of the mast and disconnect the wires from the terminal blocks by flipping the lever down on the block and pulling the wire free. Remove only the wires that are connected to the mast lights. **Note:** *Consult the wiring diagrams on page 24 for the proper locations when connecting the mast light wiring to the terminal blocks.*



- Remove the lights by removing the wing nut that holds the light fixture bracket to the cross tube. Insert the lights into the storage brackets inside the unit, placing two lights into the roof mounted brackets first. Then, place a light into the vertical bracket next to the engine with the last light going into the angled bracket. Secure the light cords to prevent damage to them.

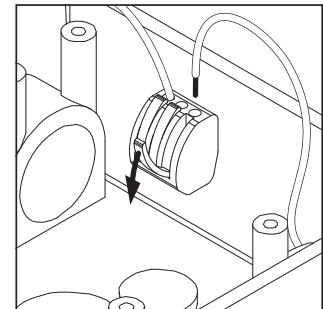
INSERT
VERTICAL
LAMP FIRST



LOWERING THE TOWER EQUIPPED WITH THE OPTIONAL ELECTRIC WINCH

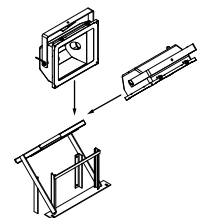
- Shut down the lights and engine. Allow the lights to cool 10-15 minutes before lowering the tower.
- Loosen the mast rotation knob and rotate the tower so the mast mounted winches face the front of the unit. The white alignment arrow points should line up on the mast sections and the metal stop tabs should be touching. Tighten the mast rotation knob.
- Press and hold the upper winch control toggle switch downward to collapse the mast to its lowest level. Make sure the coiled electrical cord on the top sections of the mast does not get tangled on the mast sections. **Note:** Some electric winch models are equipped with an anti-backlash safety limit switch. This switch will disconnect power to the winch if excess cable slack is detected, preventing accidental lowering of the tower. If, for any reason, the cable begins to develop slack or any of the tower sections get stuck, **STOP IMMEDIATELY** and contact an authorized service center.
- Release the mast lock bar by pulling the safety pin on the mast lock and pulling the lock bar free. Lower the mast by holding the lower winch control toggle switch to the right until the mast is resting in the transport cradle. **Note:** If the lock bar does not pull free, activate lower winch slightly to relieve pressure on the mast lock bar.
- After the mast is completely down, insert the cradle lock pin and secure it with the safety pin.

- Position lights to aim at the ground. If the trailer is going to be moved, Magnum Products LLC strongly recommends that the lights be removed from the mast and stowed for transportation. On units equipped with quick disconnect fittings for the lights, disconnect the power cords from the junction box at the top of the mast. Replace the dust caps on the junction box. On other units, remove the junction box cover on the top of the mast and disconnect the wires from the terminal blocks by flipping the lever down on the block and pulling the wire free. Remove only the wires that are connected to the mast lights. **Note:** Consult the wiring diagrams on page 24 for the proper locations when connecting the mast light wiring to the terminal blocks.



- Remove the lights by removing the wing nut that holds the light fixture bracket to the cross tube. Insert the lights into the storage brackets inside the unit, placing two lights into the roof mounted brackets first. Then, place a light into the vertical bracket next to the engine with the last light going into the angled bracket.

INSERT
VERTICAL
LAMP FIRST



TOWING THE TRAILER

Once the engine is shut down and the mast and lights are properly stowed, the trailer can be made ready for transport.

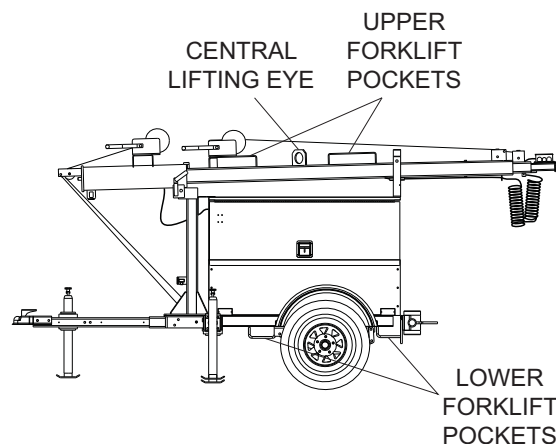
- Raise the rear jack completely and release the locking pin to rotate it up into the travel position. Make sure the locking pin snaps into place.
- Raise the outrigger jacks completely and release the jack locking pin to swing the jacks up into the travel position. Make sure the locking pins snap into place. Release the outrigger locking pins and slide the outriggers into the trailer frame until the locking pins snap into place.

3. Use the tongue jack to raise or lower the trailer onto the hitch of the towing vehicle. Lock the hitch coupling and attach the safety chains or cables to the vehicle. Release the jack locking pin and rotate the jack into the travel position. Make sure the locking pin snaps into place.
4. To ensure proper operation of the jacks, lube the grease fittings located on the leveling jacks.
5. Connect any trailer wiring to the tow vehicle. Check for proper operation of the stop and signal lights.
6. Make sure the cradle locking pin is in place.
7. Make sure the doors are properly latched.
8. If the trailer is going to be driven over rough ground, remove the bulbs from the light fixtures.
9. Check for proper inflation of the trailer tires. The maximum tire inflation is 50 psi.
10. Attach a red flag to the end of the mast before towing.
11. Maximum recommended speed for highway towing is 45 mph. Recommended off-road towing speed is not to exceed 10 mph or less depending on terrain.

LIFTING THE TRAILER

When lifting the light tower and trailer, attach any slings, chains or hooks directly to the central lifting eye. The lifting eye is located on the mast between the two forklift pockets.

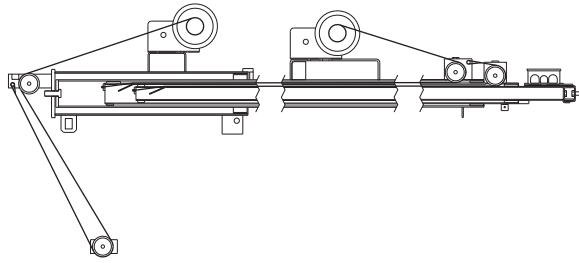
1. Make sure the equipment being used to lift the light tower has sufficient capacity. **Note:** See the unit specifications on pages 8-11 for approximate weights.
2. Make sure the cradle locking pin is in place.
3. Always remain aware of the position of other people and objects around you as you move the unit.
4. Use the upper or lower forklift pockets with care. Approach the unit as perpendicular as possible to avoid any damage to the unit. Make sure the mast winch handles or any other obstructions are clear of the forklift tines before lifting.



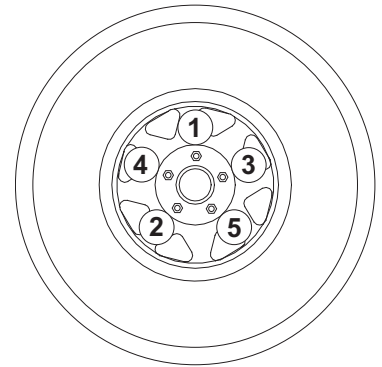
DAILY INSPECTION

1. Inspect condition of electrical cords. **DO NOT** use light tower if insulation is cut or worn through.
2. Check that winch cables are in good condition and that they are centered on each pulley. **DO NOT** use a cable that is kinked or starting to unravel.

PROPER MAST CABLE ROUTING



3. Check that the safety pins for the mast lock rod and mast lock bar are present and secured with a chain. Check that the spring located in the mast lock bar is not broken or missing. Check the operation of the mast lock bar.
4. Check the fuel, oil and coolant levels.
5. Check the operation of the trailer parking brake (if equipped).
6. Check the wheel lugs. Tighten or replace any that are loose or missing. If a tire has been removed for axle service or replaced, tighten the lugs in the order shown to the following specifications:
 - A. Start all lug nuts by hand.
 - B. First pass tighten to 20-25 Ft-Lbs (27-33 Nm).
 - C. Second pass tighten to 50-60 Ft-Lbs (67-81 Nm).
 - D. Third pass tighten to 90-120 Ft-Lbs (122-162 Nm).



After the first road use, re-torque the lug nuts in sequence.

TRAILER WHEEL BEARINGS

The light tower is equipped with a grease zerk fitting to allow lubrication of the wheel bearings without the need to disassemble the axle hub. To lubricate the axle bearings, remove the small rubber plug on the grease cap, attach a standard grease gun fitting to the grease zerk fitting and pump grease into the fitting until new grease is visible around the nozzle of the grease gun. Use only a high quality grease made specifically for lubrication of wheel bearings. Wipe any excess grease from the hub with a clean cloth and replace the rubber plug when finished. The minimum recommended lubrication is every 12 months or 12,000 miles; more frequent lubrication may be required under extremely dusty or damp operating conditions.

ENGINE MAINTENANCE

Note: During the first 50 hours of operation, avoid long periods of no load or sustained maximum load operation. If the light tower is to run for longer than five minutes without a load, shut the engine down.

The engine is supplied with engine break-in oil from the factory. Extra care during the first 50 hours of engine operation will result in better performance and longer engine life. DO NOT exceed 50 hours of operation with the break-in oil. Operate the engine at lighter loads (50-75% of maximum) as much as possible. If the engine has spent significant time at idle, constant speeds and/or light load or if makeup oil is required, a longer break in period may be needed. Consult the engine OPERATION AND MAINTENANCE MANUAL for a full description of necessary procedures on the addition of break-in oil and extension of the break-in period.

The periodic maintenance schedule below lists basic maintenance intervals for the engine. For detailed maintenance procedures refer to the engine operators manual. A copy of this manual was supplied with the unit when it was shipped from the factory. For additional or replacement copies of the engine operators manual, contact an authorized engine dealer in your area.

	Check Daily	Every 50 Hours	Every 250 Hours	Every 500 Hours	Every 1000 Hours	Every 2 Years
Check Tire Pressures	■					
Check Engine Oil Level	■					
Check Engine Coolant Level	■					
Check Fuel Level	■					
Check Alternator Belt	■					
Drain Fuel Filter*		■				
Check Radiator Hoses		■				
Change Engine Oil & Filter**		■	■			
Check All Electrical Connections			■			
Check For Fuel Leaks			■			
Replace Fuel Filter Element***			■			
Inspect and Clean Radiator Fins				■		
Lubricate Leveling Jacks				■		
Clean Air Filter Element, replace if necessary				■		
Replace Alternator Belt				■		
Inspect Engine Starting Battery					■	
Check Valve Clearance						■
Drain and Clean Fuel Tank						■
Change Engine Coolant						■
Replace Radiator Hoses						■

* Drain the fuel filter daily in rainy or humid conditions.

** Change the engine oil and filter after the first 50 hours of operation, then every 250 hours. Change the engine oil and filter every 1,000 hours for extended oil pan option.

*** Replace the optional heated fuel filter every 1,000 hours.

OPTIONAL LOWER RADIATOR HOSE HEATER USE AND MAINTENANCE

The following points should be followed when operating a unit equipped with a lower radiator hose heater. Improper use of this equipment could result in serious injury.

- Ensure cooling system is full of proper mixture of water and engine coolant before each heater use.
- Heater is designed for all-night operation; however, 2-5 hours of heating just prior to starting is usually sufficient for proper engine starting.
- When heater is in operation, unit must be parked in a level position to maintain the proper orientation of the heater.
- Use only an undamaged extension cord, outdoors rated, three-prong grounded 120VAC cord with a minimum amperage rating of 10A. Connect to properly grounded 120VAC, GFCI outlet only.
- Unplug extension cord from power first; then unplug heater cordset from extension cord before starting the engine.

TROUBLESHOOTING THE LIGHTS

⚠ DANGER

HIGH VOLTAGE! THIS UNIT USES HIGH VOLTAGE CIRCUITS CAPABLE OF CAUSING SERIOUS INJURY OR DEATH. ONLY A QUALIFIED ELECTRICIAN SHOULD TROUBLESHOOT OR REPAIR ELECTRICAL PROBLEMS OCCURRING IN THIS EQUIPMENT.

MAST LIGHTS OFF BUT BALLAST INDICATORS ON CONTROL PANEL ARE ON:

1. Mast light is too hot. Allow light to cool 10-15 minutes before restarting.
2. Faulty bulb connection. Check that the bulb is tight in the socket.
3. Bulb broken. Check for broken arc tube or outer bulb jacket, broken or loose components in bulb envelope or blackening/deposits inside tube.
4. Check the connections inside the mast junction box and each mast light housing/socket.
5. Check the mast electrical cord for damage and check the cord connections inside the control box.

MAST LIGHTS OFF AND BALLAST INDICATORS ON CONTROL PANEL ARE OFF:

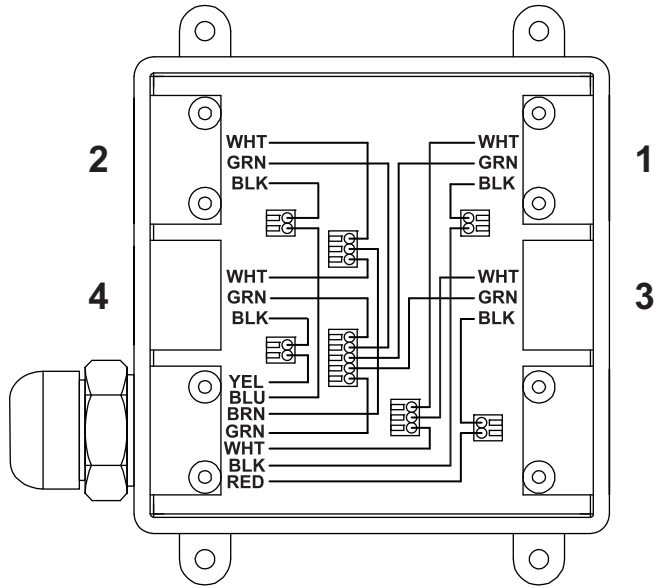
1. Check the connections inside the control box and inside each ballast box.
2. Generator output incorrect. Check the incoming voltage to the ballast by checking the available voltage on the duplex receptacle. Incoming voltage should be 120V +/- 5V. If voltage is incorrect engine speed may need to be adjusted or generator may require service. Contact Magnum Products Technical Service Department for more information.
3. Low transformer output. The voltage from the transformer should read approximately 400 VAC as the light "strikes" (induces an arc), then drop and slowly rise back up to stabilize at 240-260 VAC. On quick disconnect models, measure across the junction box terminals when the light is unplugged. On hard wired models, remove the mast junction box cover and insert the wire probes into the connector blocks for the lights and ground. If proper voltage is not achieved, perform capacitor check to determine if the capacitor or coil needs to be replaced.

MAST LIGHTS ON BUT THE LIGHT OUTPUT IS LOW:

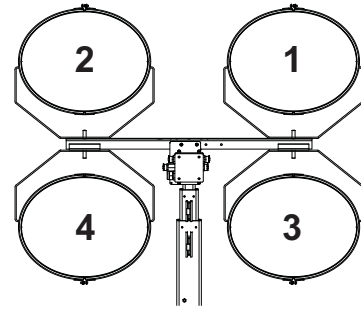
1. Fixture or lens dirty. Clean reflective surface inside fixture and both inside and outside surface of glass lens.
2. Bulb worn. Replace bulb due to normal use.
3. Check the mast coil cord, mast junction box and mast light connections.
4. Generator output incorrect. Check the incoming voltage to the ballast. Incoming voltage should be 120V +/- 5V. If voltage is incorrect engine speed may need to be adjusted or generator may require service.
5. Low transformer output. Perform transformer check as described above.

If problems persist, contact Magnum Products Technical Service for assistance.

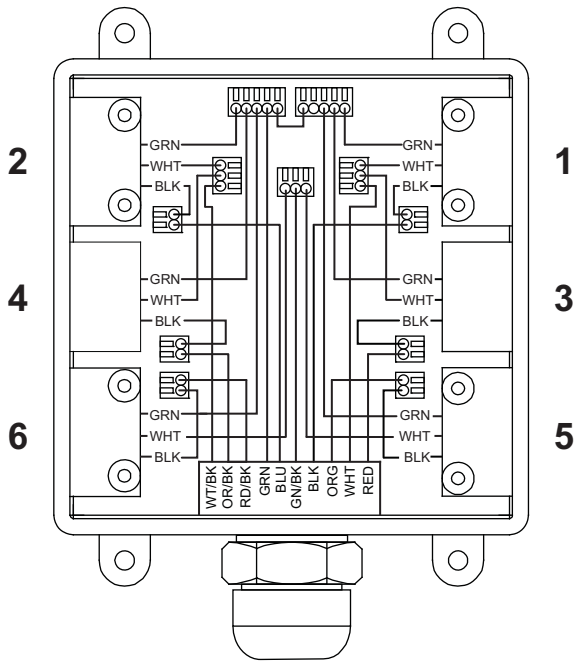
MAST LIGHT CONNECTIONS



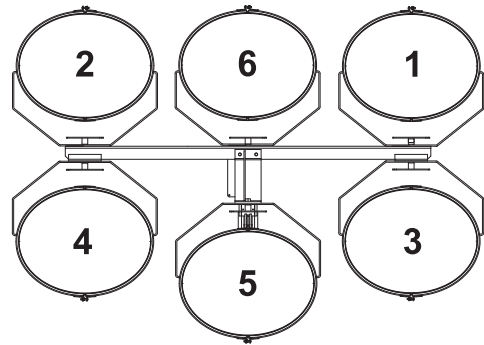
MAST JUNCTION BOX WIRING
4-LIGHT



MAST LIGHT CONNECTIONS
4-LIGHT

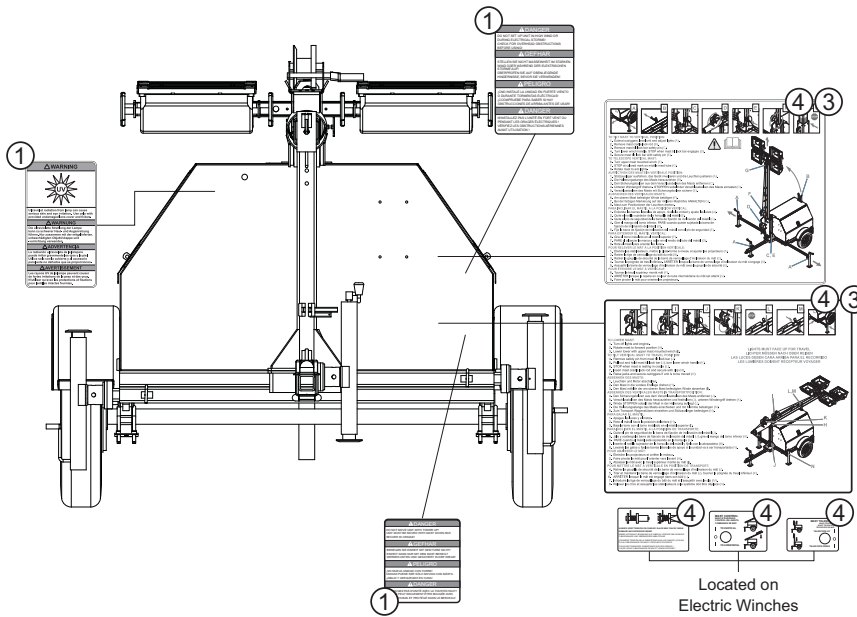
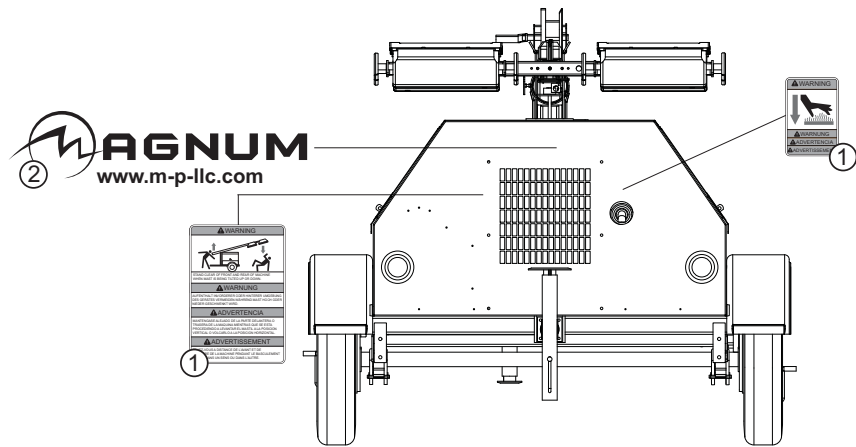


MAST JUNCTION BOX WIRING
6-LIGHT



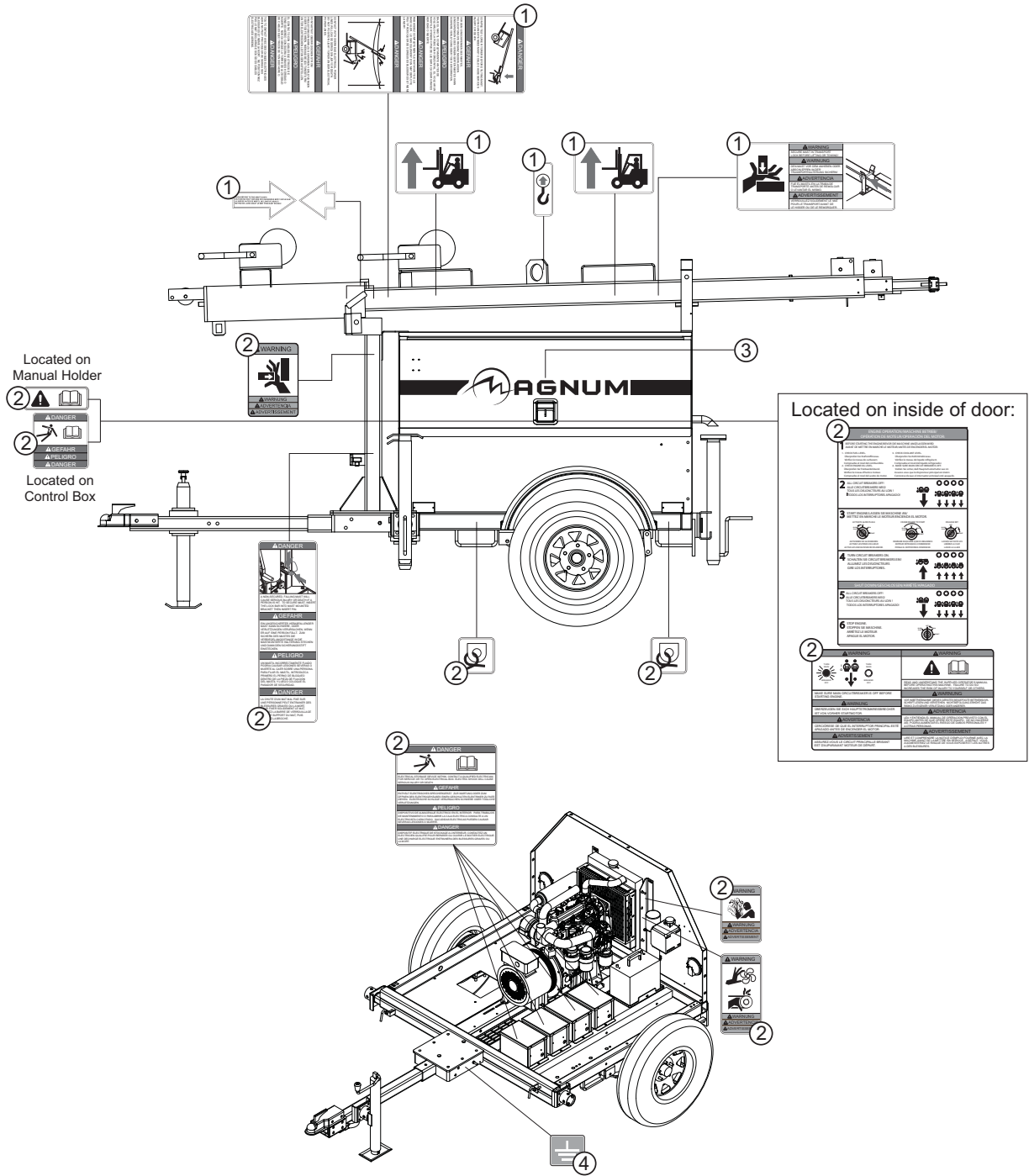
MAST LIGHT CONNECTIONS
6-LIGHT

UNIT DECALS



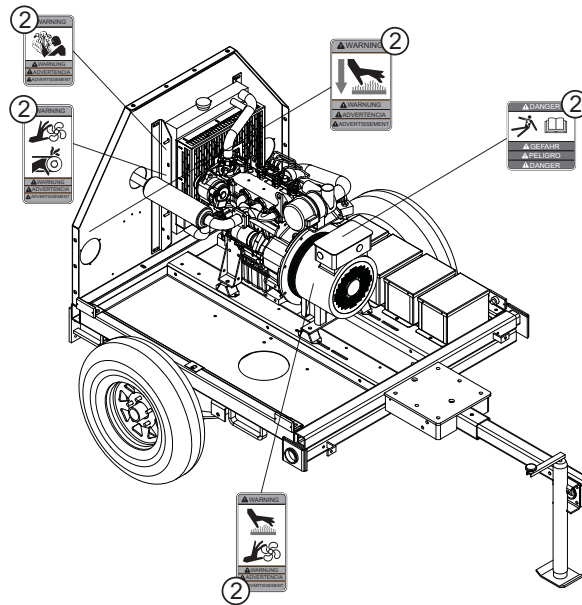
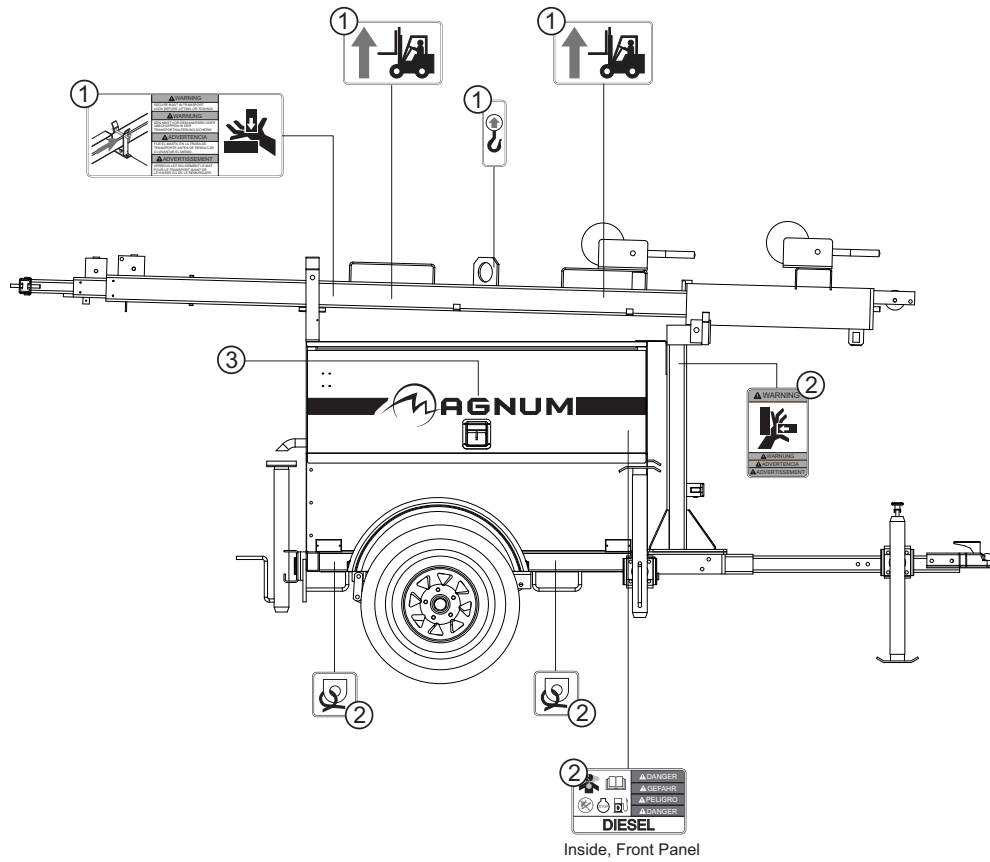
ITEM NO.	PART NO.	QTY	DESCRIPTION
1	12141	1	Decal set, LT eng/safety 4-lang
2	11275	1	Decal, Magnum logo w/ web - red vinyl
3	12262	1	Decal, 4000/5000 set up 4-lang (MW)
4	12881	1	Decal, instruction 3000 4-lang (EW)
5	12880	1	Decal, instruction 4000/5000 4-lang (EW) not shown

UNIT DECALS



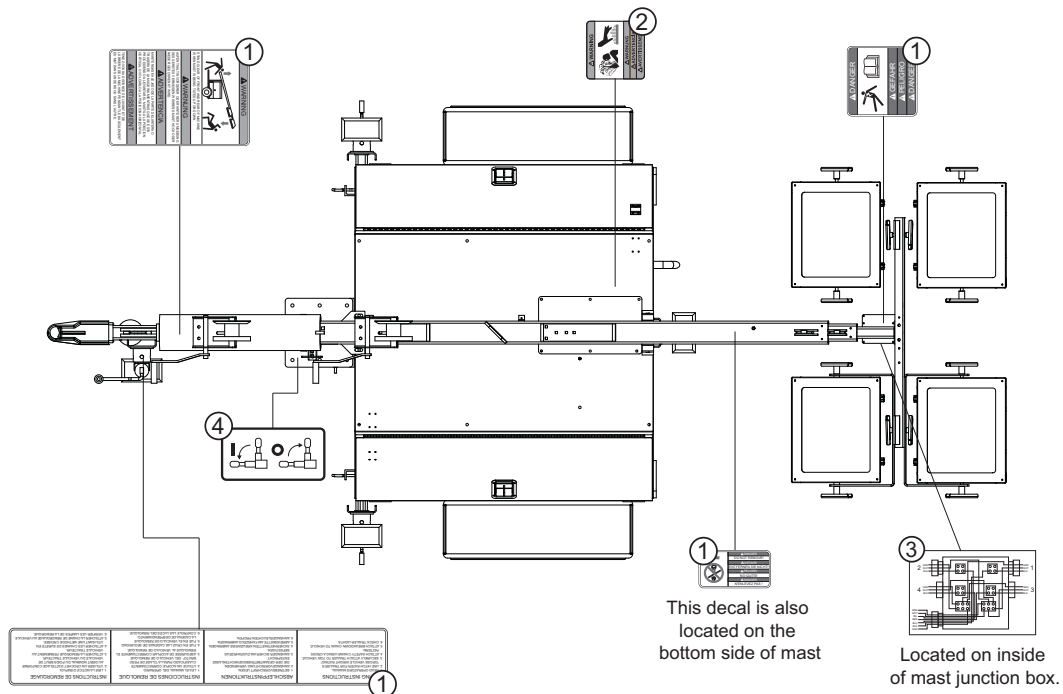
ITEM NO.	PART NO.	QTY	DESCRIPTION
1	12140	1	Decal set, common mast 4-lang
2	12141	1	Decal set, LT eng/safety 4-lang
3	16488	1	Decal, Magnum logo w/ red stripe
4	12142	1	Decal, ground

UNIT DECALS



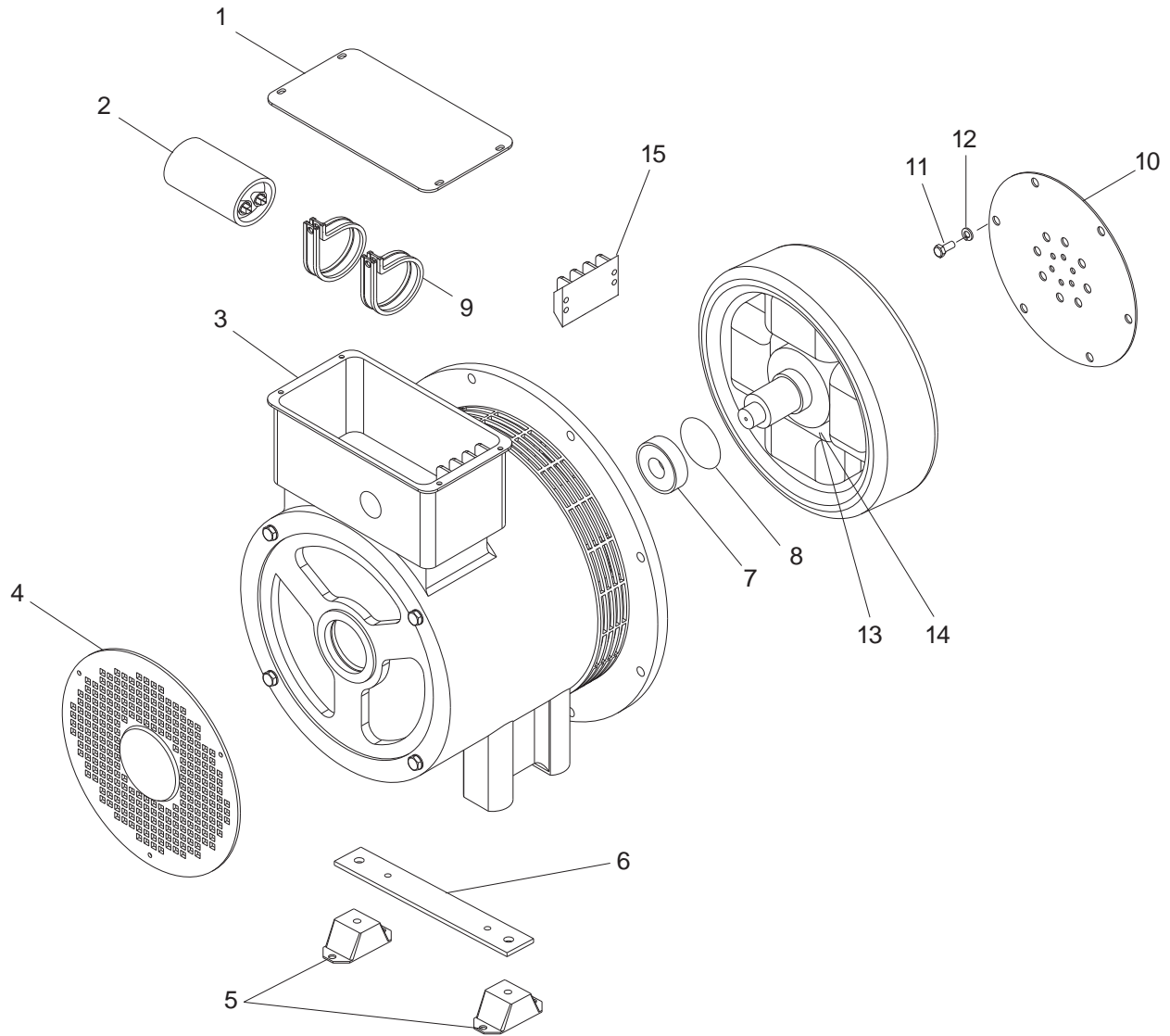
ITEM NO.	PART NO.	QTY	DESCRIPTION
1	12140	1	Decal set, common mast 4-lang
2	12141	1	Decal set, LT eng/safety 4-lang
3	16488	1	Decal, Magnum logo w/ red stripe

UNIT DECALS



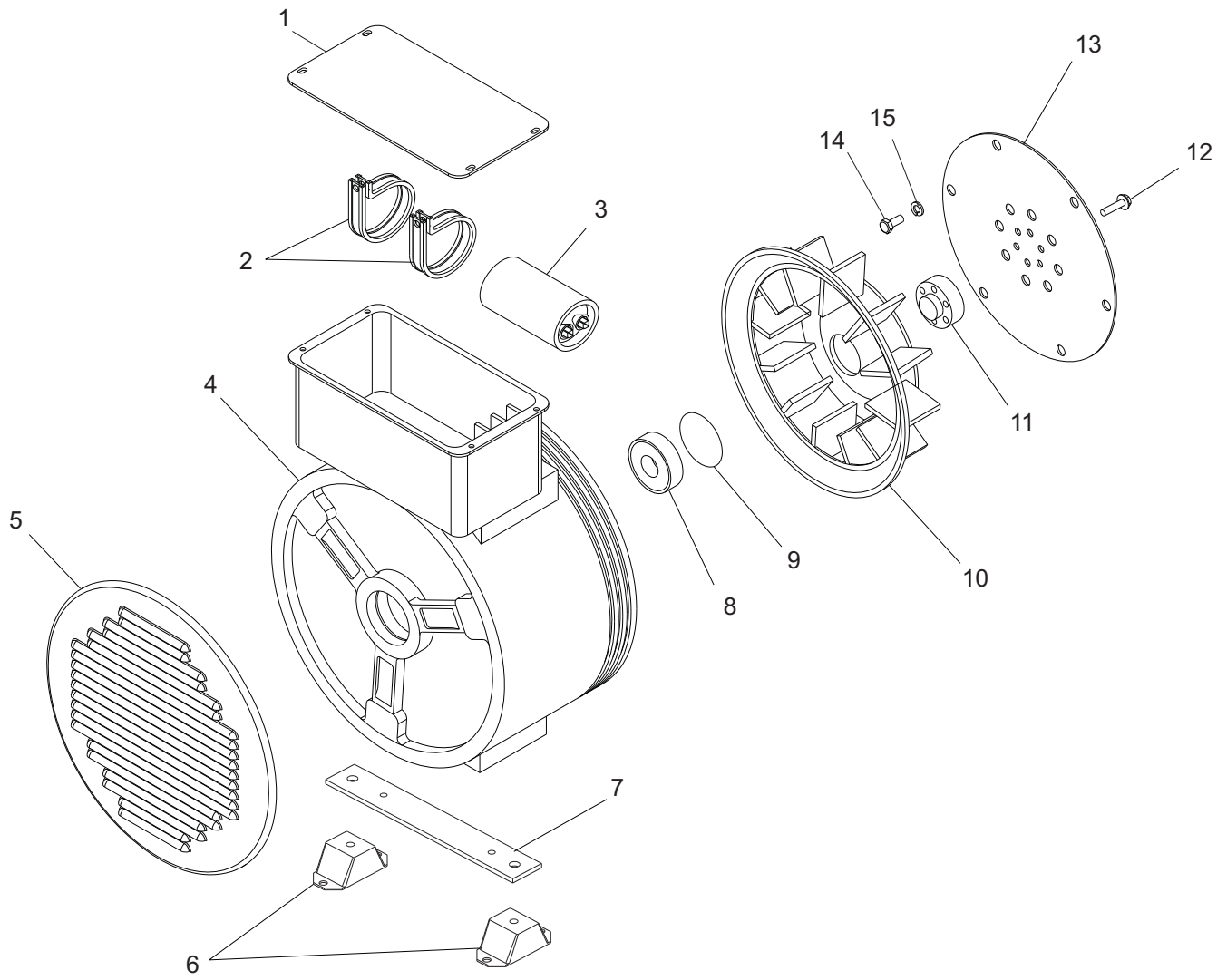
ITEM NO.	PART NO.	QTY	DESCRIPTION
1	12140	1	Decal set, common mast 4-lang
2	12141	1	Decal set, LT eng/safety 4-lang
3	13614	1	Decal, mast junction box wiring - 4 light
-	13615	1	Decal, mast junction box wiring - 6 light (not shown)
4	12313	1	Decal, LT parking brake (if equipped)

6 KW GENERATOR ASSEMBLY



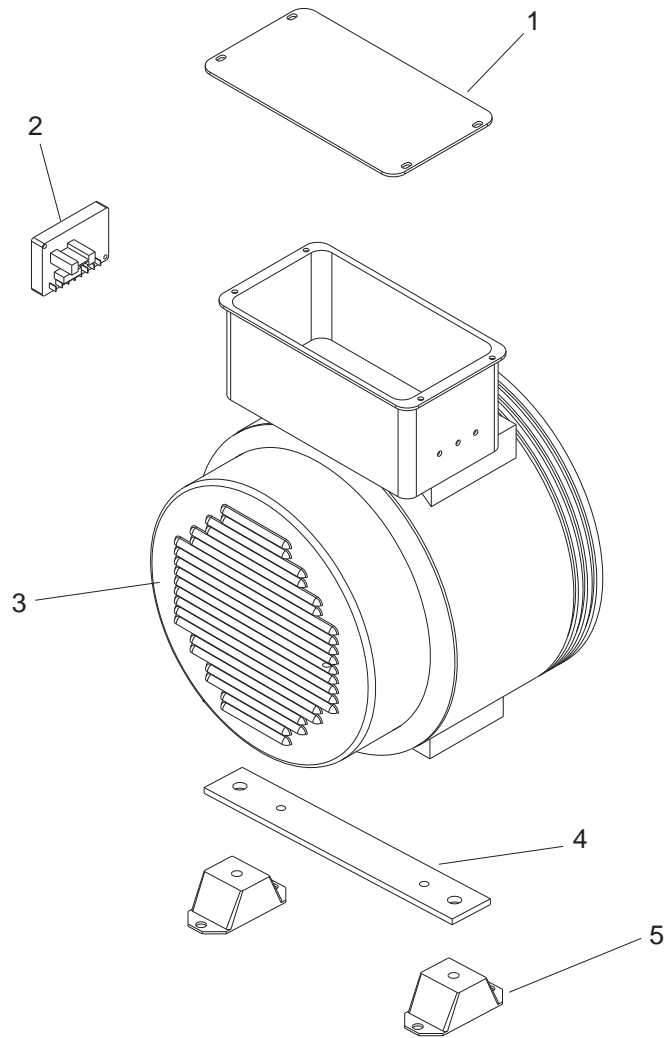
ITEM NO.	PART NO.	QTY	DESCRIPTION
1	12736	1	Cover, generator box
2	12159	1	Capacitor, 25 μ F marathon
	15695	1	Capacitor, 45 μ F marathon
3	16556	1	Generator, 6 kW 60Hz capacitor
4	12327	1	Case cover, marathon 6kw pancake
5	15241	2	Mount, compression
6	15045B	1	Mount, generator
7	12328	1	Bearing, marathon 6kw pancake
8	12329	1	Bearing seal, marathon 6kw pancake
9	16395	2	Clamp, capacitor
10	16123	1	Plate, drive
11	60410	6	Screw, M8 x 16
12	60029	6	Washer, lock M8
13	15493	2	Diode, rotor
14	15492	1	Diode, suppressor
15	65617	1	Block, terminal 6 kW

8 KW GENERATOR ASSEMBLY



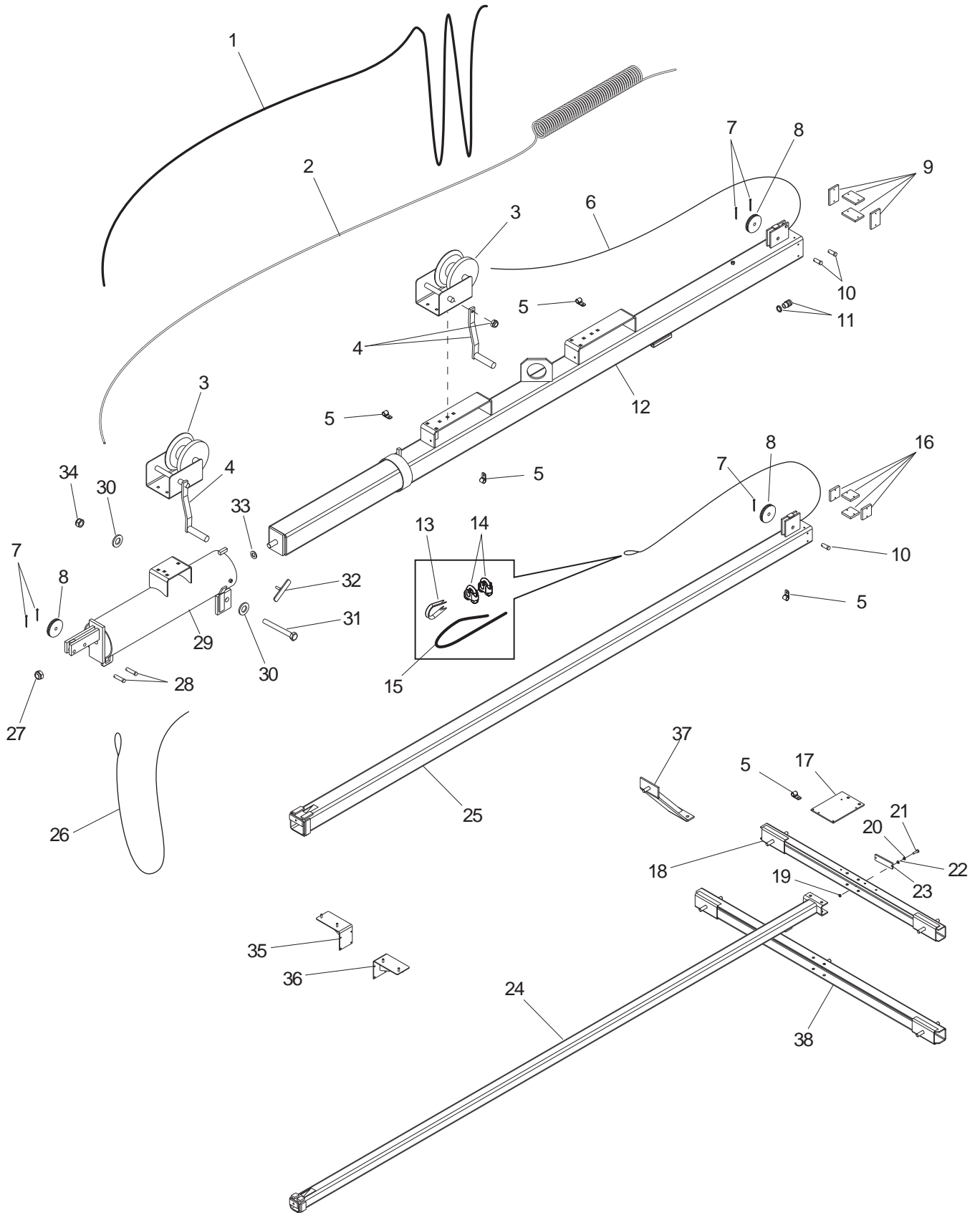
ITEM NO.	PART NO.	QTY	DESCRIPTION
1	12736	1	Cover, generator box
2	16395	2	Clamp, capacitor
3	15695	1	Capacitor, generator 45 uF (oval)
4	16421	1	Fan, machined
5	60410	6	Screw, M8 x 16
6	60029	6	Washer, lock M8
7	16123	1	Plate, drive
8	11336	6	Screw, 3/8 - 24 x 7/8
9	15493	2	Diode, rotor
10	15492	1	Diode, suppressor
11	11337	1	O-ring, bearing
12	16134	1	Bearing, generator 6 kW
13	15212	1	Generator, 8 kW, 60 Hz
14	11338	1	Cover, rear
15	11339	1	Spacer, drive plate

GENERATOR ASSEMBLY - 8 KW WITH VOLTAGE REGULATION



ITEM NO.	PART NO.	QTY	DESCRIPTION
1	12736	1	Cover, generator box
2	18556	1	Regulator, voltage - SE 350
3	12023	1	Generator, 10 kW 60 Hz regulated
4	11597B	1	Bracket, gen mount
6	15241	2	Compression mount, engine

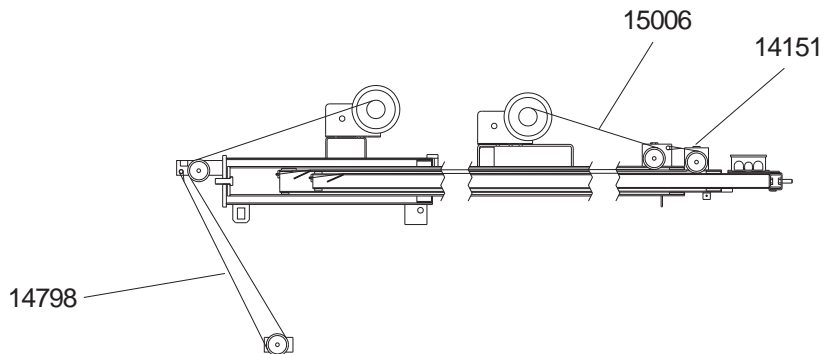
MANUAL WINCH MAST ASSEMBLY



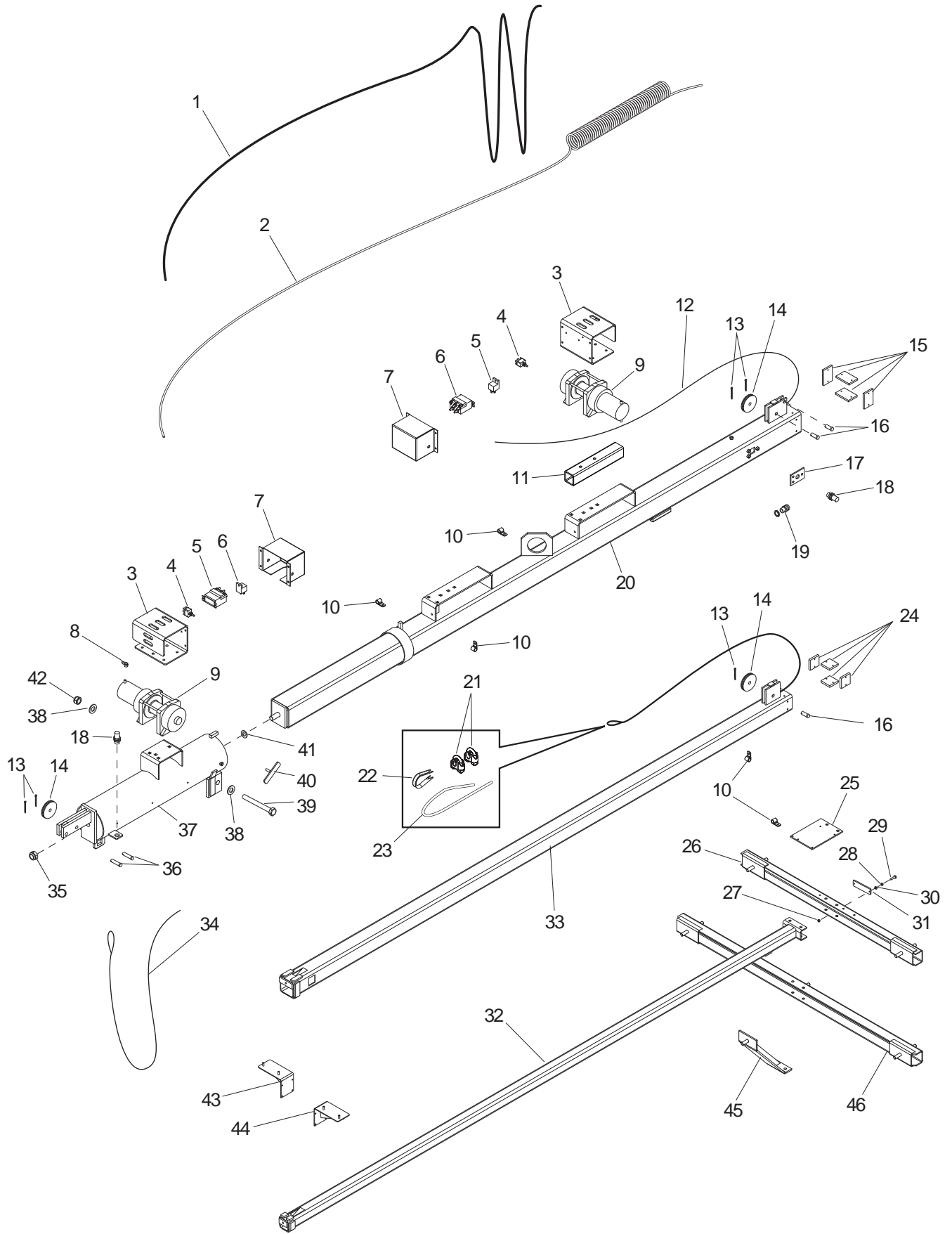
ITEM NO.	PART NO.	QTY	DESCRIPTION
1	15612	1	Cable, 16-7 cold mast drape (optional)
2	11954	1	Coil cord, mast
3	16600	2	Winch, manual
4	15623	2	Winch handle, 9" long with nut
5	16143	5	Clamp, tubing .500
6	15006	1	Cable, .188 in. x 27 ft. w/ball swedge
7	15380	4	Pin, cotter - .125 x 1.250
8	14262	2	Sheave, 3 in.
9	15014	4	Shim, 2 x 3 x .281 GSM
10	15015	3	Pin, clevis .500 x 1.25
11	14439	1	Grip, cord
12	11933B	1	Weldment, mast - 4.00
13	15003	1	Thimble, cable
14	15002	2	Clamp, cable - .188
15	14151	1	Cable - .188" X 11' w/ball swedge
16	15013	4	Shim, 2 x 2 x .344 GSM
17	12095B	1	Bracket, junction box
18	12751B	1	Weldment, mast crossbar
19	14231	2	Nut, 10-32 hx
20	60252	2	Washer, split lock #10
21	60397	2	Screw, 10-32X1.000 pan hd phil
22	60237	2	Washer, flat SAE #10
23	15829	1	Reflector, red
24	16257B	1	Weldment, mast - 2.00
25	11934B	1	Weldment, mast - 3.00
26	14798	1	Cable, .188 in. x 16 ft. w/teardrop
27	60308	1	Nut, nylock .750-10 nylock SS
28	14234	2	Pin, clevis .500 x 2.00
29	12876B	1	Weldment, mast tube - EW
30	60744	2	Washer, .750 flat 1.250/.060 delrin
31	15292	1	Screw, .750-10 x 6.50 SS
32	11649Z	1	Weldment, t-bolt
33	60247	1	Washer, flat .750 SS
34	60584	1	Nut, nylock .750-10 G5 yellow zinc

OPTIONAL FEATURES:

35	12456B	2	Bracket, light mounting, left (optional)
36	12457B	2	Bracket, light mounting, right (optional)
37	12543B	1	Weldment, mast crossarm (optional)
38	12551B	1	Weldment, light bracket (optional)
-	15701	-	Cable, 16 - 10 SEOW (optional)



ELECTRIC WINCH MAST ASSEMBLY

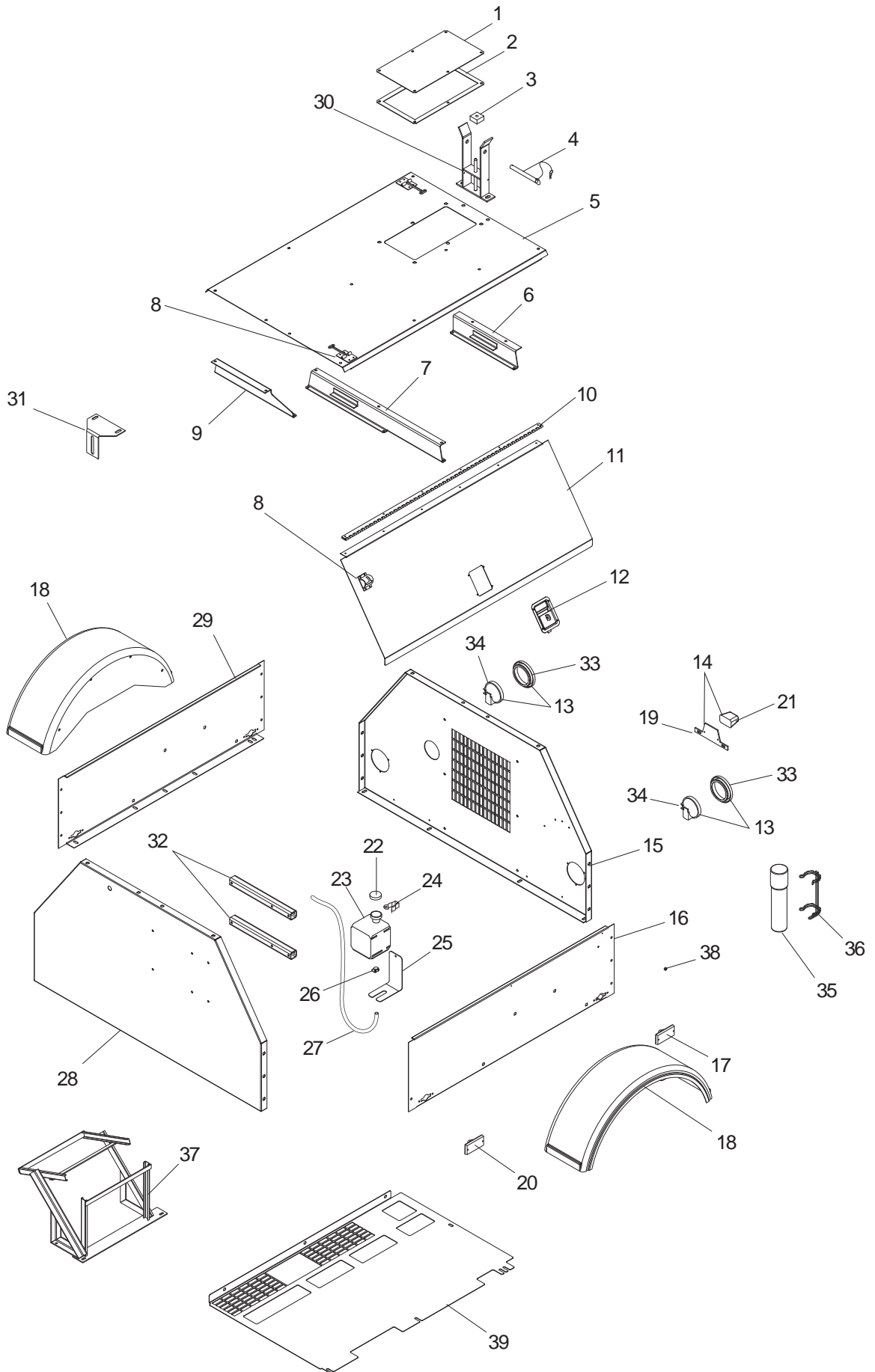


ITEM NO.	PART NO.	QTY	DESCRIPTION
1	15612	1	Cable, 16-7 cold mast drape (optional)
2	11954	1	Coil cord, mast
3	12872B	2	Bracket, winch mounting
4	65707	2	Switch, toggle - SPDT spring weatherproof
5	65049	2	Relay, 12V 30/40A N.O. w/diode
6	11293	2	Contactora, electric winch - warn
7	12875B	2	Cover, winch contactor
8	12292	4	Boot, battery cable red
9	12874	2	Winch, electric - 770LB hoist
10	16143	2	Clamp, tubing .500
11	11967B	1	Tube, electric winch mount
12	15006	1	Cable, .188 in. x 27 ft. w/ball swedge
13	15380	5	Pin, cotter - .125X1.250
14	14262	3	Sheave, 3 in.
15	15014	4	Shim, 2 x 3 x .281 GSM
16	15015	3	Pin, clevis .500 x 1.25
17	65510B	1	Bracket, sensor mtg
18	65511	2	Sensor, proximity
19	14439	1	Strain relief- .50 NPT, .50 cord
20	12085B	1	Weldment, 4.00 mast - EW
21	15002	2	Clamp, cable - .188
22	15003	1	Thimble, cable - .188
23	14151	1	Cable - .188" X 11' w/ball swedge
24	15013	4	Shim, 2 x 2 x .344 GSM
25	12095B	1	Bracket, junction box
26	12751B	1	Weldment, mast crossbar
27	14231	2	Nut, 10-32 hx
28	60252	2	Washer, split lock #10
29	60397	2	Screw, 10-32X1.000 pan hd phil
30	60237	2	Washer, flat SAE #10
31	15829	1	Reflector, red
32	16257B	1	Weldment, mast - 2.00
33	11934B	1	Weldment, mast - 3.00
34	14798	1	Cable, .188 in. x 16 ft. w/teardrop
35	60308	1	Nut, nylock .750-10 nylock SS
36	14234	2	Pin, clevis .500 x 2.00
37	12876B	1	Weldment, mast tube - EW
38	60744	2	Washer, .750 flat 1.250/.060 delrin
39	15292	1	Screw, .750-10 x 6.50 SS
40	11649Z	1	Weldment, t-bolt
41	60247	1	Washer, flat .750 SS
42	60584	1	Nut, nylock .750-10 G5 yellow zinc

OPTIONAL FEATURES:

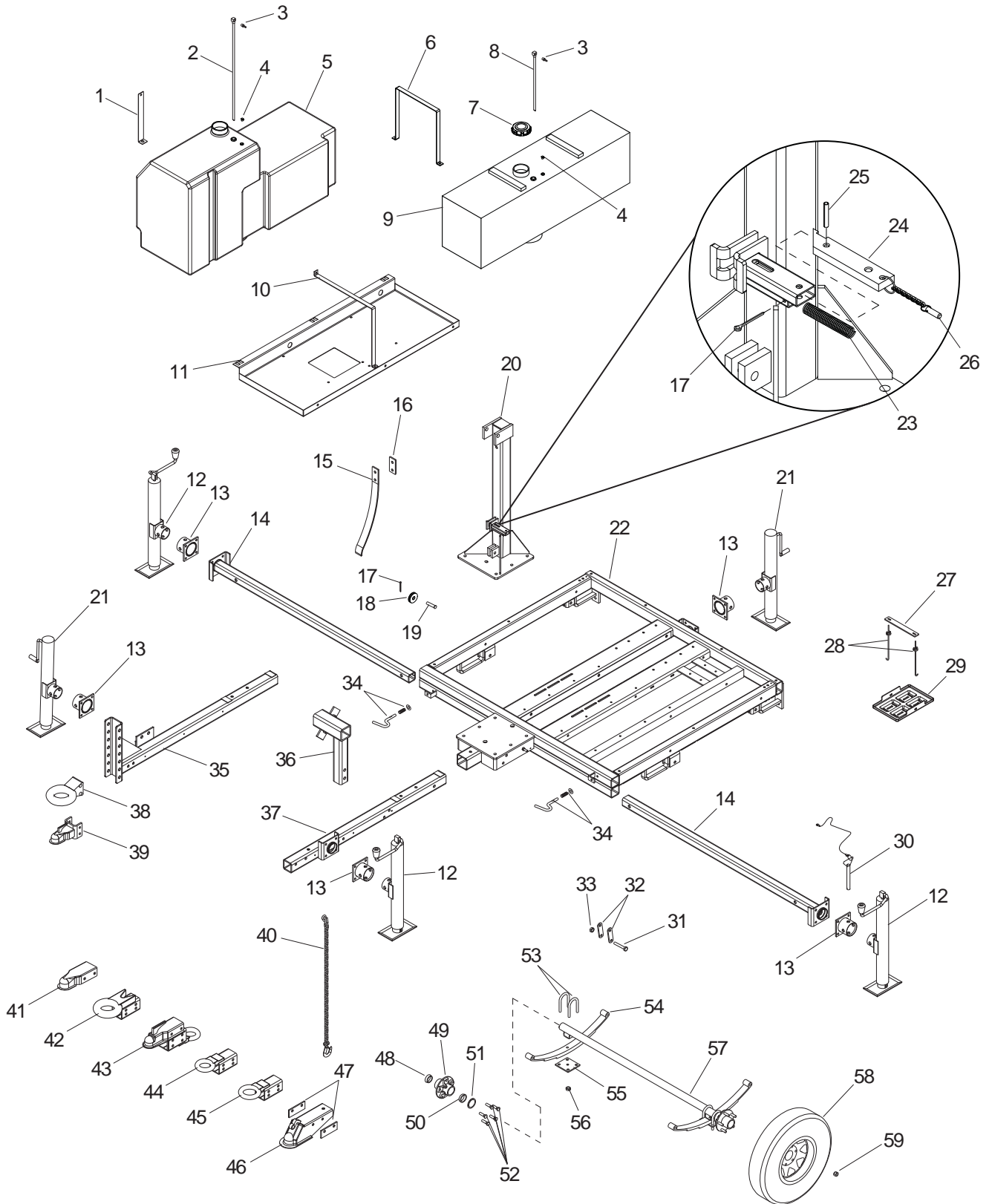
43	12456B	2	Bracket, light mounting, left (optional)
44	12457B	2	Bracket, light mounting, right (optional)
45	12543B	1	Weldment, mast crossarm (optional)
46	12551B	1	Weldment, light bracket (optional)
-	15701	-	Cable, 16 - 10 SEOW (optional)

ENCLOSURE ASSEMBLY



ITEM NO.	PART NO.	QTY	DESCRIPTION
1	25333W	1	Panel, back access
2	12195	1	Gasket, radiator access plate
3	11935	1	Pad, rubber 2.00 x 2.00 x 1.00
4	16099	1	Assembly, cradle pin
5	12119W	1	Panel, top - MLT5000
6	12253B	1	Weldment, light storage
7	12252B	1	Weldment, light storage
8	12605	2	Door latch SS, T-style
9	12251B	1	Weldment, light storage
10	16598	2	Hinge, door
11	16591W	2	Panel, door
12	15123	2	Latch, paddle
13	10219	2	Assembly, rear tail/turn light
14	10223	1	Assembly, license plate light/bracket
15	12127W	1	Panel, rear - 5000MLT
16	12150W	1	Panel, side - LH MLT
17	65406	2	Light, clearance marker red
18	11381	2	Fender, plastic
19	10224	-	Bracket, license plate
20	65407	2	Light, clearance marker amber
21	10225	-	Light, license bracket
22	19714	1	Cap, over flow jug
23	20287	1	Jug, overflow 2 qt. (.5 gal.)
24	19726	1	Clamp, overflow bottle
25	22419B	1	Bracket, support overflow jug
26	60777	1	Clamp, hose - .312 crimp style
27	19220	1	Hose, overflow
-	14410	1	Assembly, overflow jug (items 22-27)
28	12126W	1	Panel, front -MLT5000
29	11507W	1	Panel, side - RH MLT
30	12344Z	1	Weldment, cradle
31	14459B	1	Bracket, door adjusting
32	11543B	2	Spacer, control box
33	10221	-	Grommet, rear light rubber 4.5"
34	10220	-	Light, rear tail/turn mlt no grommet
35	11121	1	Holder, manual black tube
36	11222	1	Bracket, manual holder
37	11635B	1	Weldment, light storage
38	15215	6	Bumper, rubber
-	10222	-	Plug, rear light 3-wire MLT (not shown)
-	10226	-	Plug, 2-wire license light (not shown)
OPTIONAL FEATURES:			
39	12335B	1	Panel, bellypan

FRAME ASSEMBLY

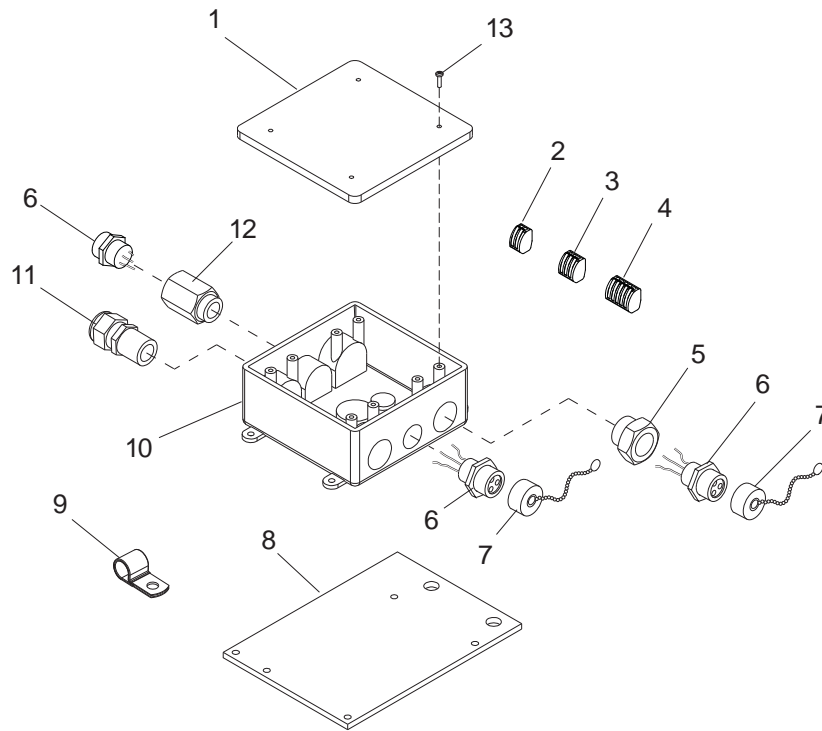


ITEM NO.	PART NO.	QTY	DESCRIPTION
1	11725B	1	Weldment, fuel tank strap
2	12259	1	Tube, fuel pick up, 24 in.
3	15142	1	Fitting, .250NPT x .312 hose barb
4	16271	1	Fitting, .250NPT x .188 hose barb
5	12162	1	Tank, fuel - 56 gallon poly
6	13616B	2	Strap, fuel tank
7	12080	1	Cap, fuel tank vent 3.50 dia. green
-	12137	1	Cap, fuel tank vent 3.50 dia. green w/lanyard
8	13500	1	Fuel pick-up tube, 14.00 IN
9	12646	1	Tank, fuel - 30 gal.
10	11735B	1	Weldment, fuel tank strap
11	12120B	1	Panel, fuel tank support
12	23254	3	Jack, 3000# top wind
13	11965Z	4	Weldment, jack adapter
14	15031Z	2	Weldment, outrigger
15	14845B	1	Spring, kickback
16	11554Z	1	Spacer plate, kickback spring
17	15380	2	Pin, cotter
18	14261	1	Sheave, 2 in.
19	15015	1	Pin, clevis .500 x 1.25
20	11057B	1	Weldment, mast post
21	11978	1	Jack, 2000# side wind
22	12113B	1	Weldment, chassis 5000
23	14275	1	Spring, lock
24	11215	1	Assy, latch bar
25	15165	1	Pin, roll - .250 x 1.250
26	14403	1	Pin, cotterless - .315 x 1.00 ZP
27	14682	1	Bracket, battery hold down
28	60984	2	Bolt, J - .250-20 x 7.00
29	14145	1	Tray, battery
30	23505	4	Cable, pin tether 12"
31	60503	6	Screw, 9/16 - 18
32	19637	4	Plate, shackle bracket
33	60504	6	Nut, 9/16 - 18
34	14324	2	Kit, plunger
35	11368B	1	Tongue, weldment
36	12235B	1	Weldment, spare tire holder
37	12418B	1	Weldment, tongue
38	19518	1	Hitch, 2" ball, adjustable height
39	19335B	1	Hitch, pintle eye 3.00", adjustable height
40	23367	2	Chain, safety - 7,800 lbs rating
41	16830	1	Coupler, 2 in. ball/2.5 in. channel
42	11672B	1	Weldment, hitch - 3.00x1.625 ring
43	16741B	1	Weldment, combo hitch - 2.5 in. tongue
44	16835B	1	Weldment, lunette ring - 3.00 ID/2.50 tongue
45	16999B	1	Weldment, lunette ring - 2.50 ID/2.50 tongue
46	12229	1	Coupler, 2 5/16 ball, 3" channel
47	12156	1	Kit, coupler, 2 5/16 ball/3" tongue w/spcra
48	11511	2	Bearing, axle (outer)
49	11276	2	Hub, axle (w/ wheel studs & bearings)
50	40954	2	Bearing, axle (inner)
51	11199	2	Seal, axle bearing
52	60674	10	Wheel stud, axle
53	11277	4	U-bolt, axle

Continued on next page.

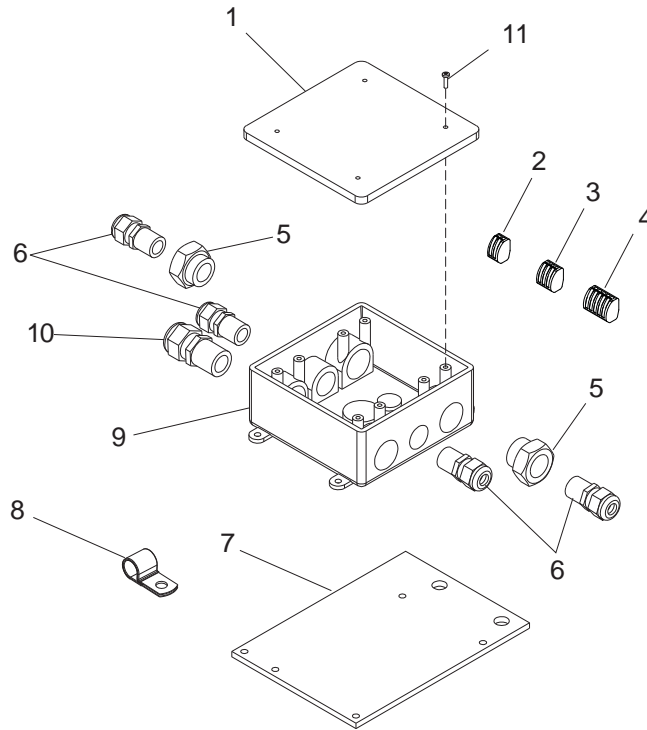
ITEM NO.	PART NO.	QTY	DESCRIPTION
54	11280	2	Spring, axle
55	11278	2	Tie plate, spring
56	11279	8	Nut, locking
57	12207	1	Axle, 3500 lb. 56SC 68.5TC
58	15540	2	Wheel, P205X75R15 radial w/rim
59	60096	10	Lug Nut, .500-20 (incl. w/axle)
-	11555B	1	Weldment, removable tongue - 74"
-	11253	2	Cap, grease - axis with rubber plug 3500#
-	11254	2	Plug, grease cap - for zerk (Axis)

MAST JUNCTION BOX ASSEMBLY - QUICK DISCONNECT LIGHTS



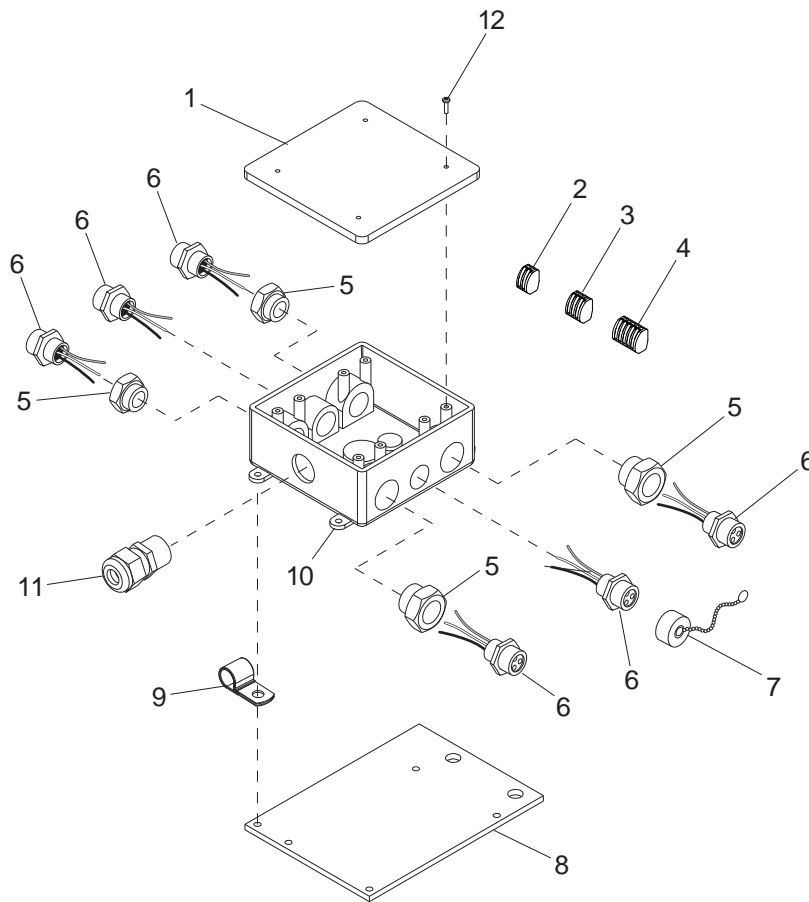
ITEM NO.	PART NO.	QTY	DESCRIPTION
1	12109	1	Box cover, 2-gang plastic
2	66100	4	Connector, 2 pos. Wago
3	66101	2	Connector, 3 pos. Wago
4	66102	1	Connector, 5 pos. Wago
5	60755	2	Fitting, .750MNPT x .500FNPT nylon
6	15403	4	Connector, quick disconnect (female)
7	15404	4	Cap, receptacle w/chain
8	12095B	1	Bracket, junction box
9	16143	1	Clamp, tubing .500
10	12094	1	Box, junction
11	14656	1	Strain relief, .750NPT water tight
12	12713	1	Fitting, adapter-1/2"-14 male to 1/2"-14 female
13	60424	4	Screw, 6-32X.750 pan phil G2 ZC self threading
-	11957	-	Assembly, mast junction box

MAST JUNCTION BOX ASSEMBLY - HARD WIRED LIGHTS



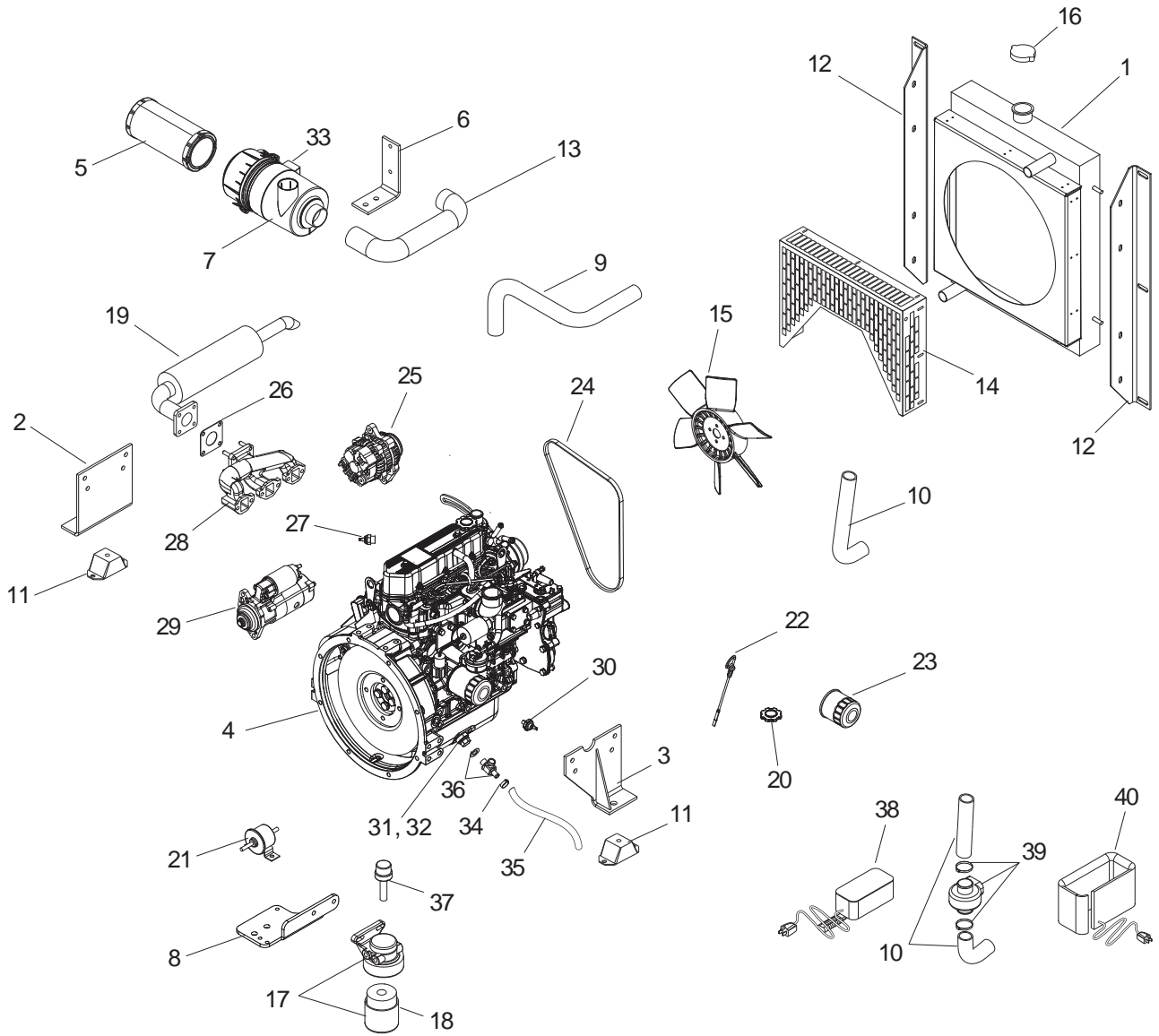
ITEM NO.	PART NO.	QTY	DESCRIPTION
1	12109	1	Box cover, 2-gang plastic
2	66100	4	Connector, 2 pos. Wago
3	66101	2	Connector, 3 pos. Wago
4	66102	1	Connector, 5 pos. Wago
5	60755	2	Fitting, .750MNPT x .500FNPT nylon
6	15864	4	Strain relief, .500NPT water tight
7	12095B	1	Bracket, junction box
8	16143	1	Clamp, tubing .500
9	12094	1	Box, junction
10	14656	1	Strain relief, .750NPT water tight
11	60424	4	Screw, 6-32X.750 pan phil G2 ZC self threading
-	11789	-	Assembly, mast junction box

MAST JUNCTION BOX ASSEMBLY - 6 LIGHT QUICK DISCONNECT



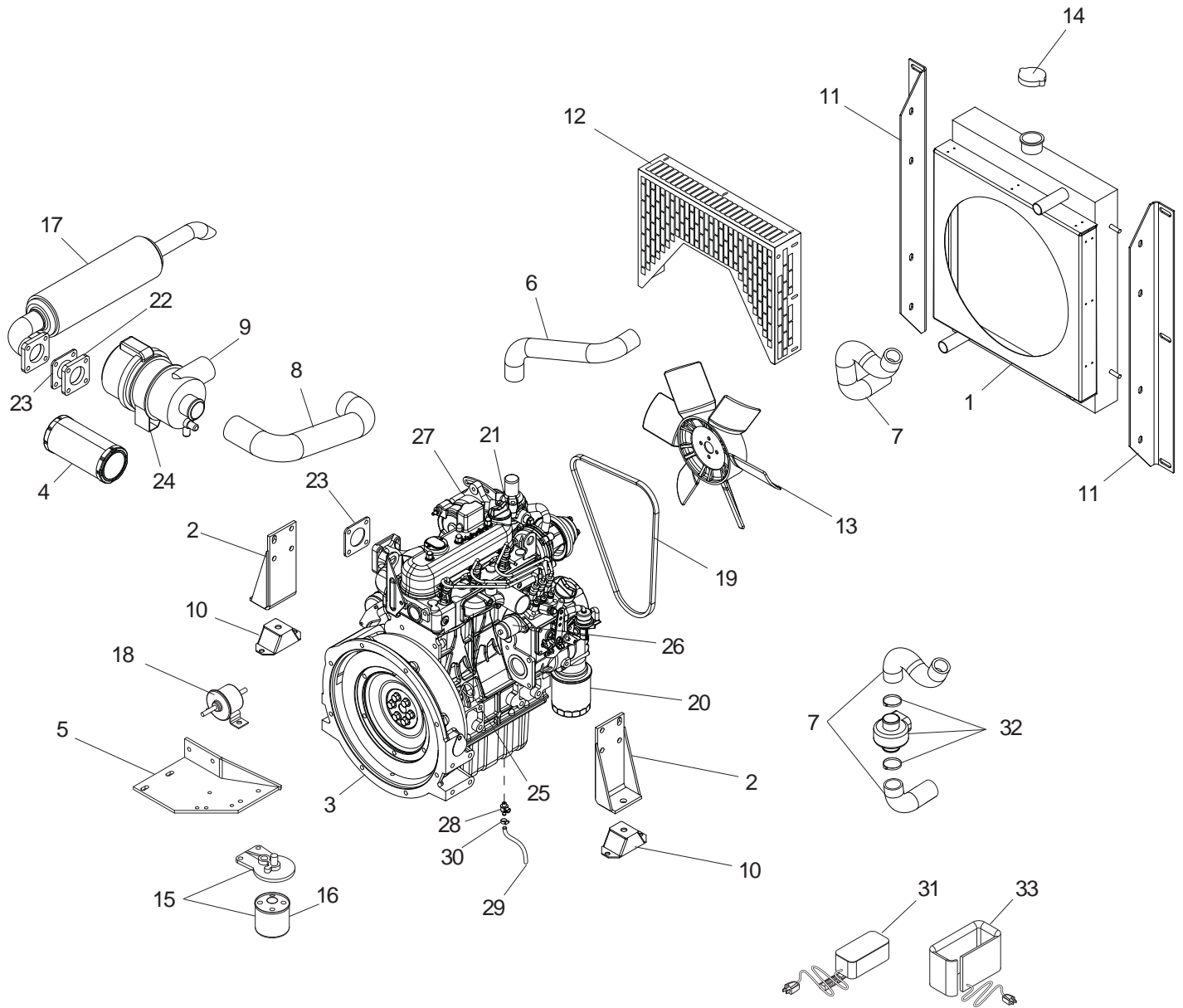
ITEM NO.	PART NO.	QTY	DESCRIPTION
1	12109	1	Box cover, 2-gang plastic
2	66100	6	Connector, 2 pos. Wago
3	66101	4	Connector, 3 pos. Wago
4	66102	2	Connector, 5 pos. Wago
5	60755	4	Fitting, .750MNPT x .500FNPT nylon
6	15403	6	Connector, quick disconnect (female)
7	15404	6	Cap, receptacle w/chain
8	12095B	1	Bracket, junction box
9	16143	1	Clamp, tubing .500
10	12094	1	Box, junction
11	14656	1	Strain relief, .750NPT water tight
12	60424	4	Screw, 6-32X.750 pan phil G2 ZC self threading
-		-	Assembly, mast junction box

MITSUBISHI ENGINE



ITEM NO.	PART NO.	QTY	DESCRIPTION
1	16540	1	Radiator w/fan guard, Mitsubishi
2	16554B	1	Weldment, engine mount - LH
3	16553B	1	Weldment, engine mount - RH
4	13046	1	Engine, Mitsubishi - L3E int. Tier IV
5	16444	1	Element, air filter
6	16551B	1	Bracket, air cleaner
7	16443	1	Filter, air with bracket
8	12838B	1	Bracket, fuel filter/pump
9	16687	1	Hose, radiator upper
10	16688	1	Hose, radiator lower
11	15241	4	Mount, compression
12	11135B	2	Bracket, radiator
13	16589	1	Hose, air cleaner
14	11413B	1	Guard, fan
15	16742	1	Fan, engine
16	19219	1	Cap, pressure radiator
17	16685	1	Fuel filter head, element & fitting
18	16686	1	Element, fuel filter
19	15266	1	Muffler, engine
20	11147	1	Cap, oil filler
21	13278	1	Fuel pump, electric
22	11148	1	Dipstick, engine oil
23	16691	1	Filter, oil
24	10386	1	Belt, cold weather - Mitsu 6KW & 8 KW
25	16743	1	Alternator, Mitsubishi
26	11042	1	Gasket, exhaust manifold
27	16678	1	Switch, coolant temperature
28	12529	1	Manifold, exhaust
29	16833	1	Starter assy, engine
30	16677	1	Switch, oil pressure
31	12888	1	Plug, oil drain
32	12889	1	Gasket, oil drain
33	16445	1	Bracket, air cleaner housing
--	16683	1	Solenoid, fuel shut-down (not shown)
--	16693	3	Glow plug, engine (not shown)
--	15074	1	Cable, battery red 38" (not shown)
--	15073	1	Cable, battery black 24" (not shown)
--	16744	1	Water pump, Mitsubishi (not shown)
--	12213	1	Mitsubishi, gasket, water pump (not shown)
--	16745	1	Thermostat, Mitsubishi (not shown)
--	12214	1	Gasket, thermostat (not shown)
--	12959	1	Mitsubishi, gasket, intake manifold L3E (not shown)
--	12214	1	Mitsubishi, gasket, thermostat (not shown)
--	16874	1	Assy, engine harness (not shown)
--	11366	1	Solenoid, starter Mitsubishi (not shown)
--	11367	1	Manifold stud (not shown)
OPTIONAL FEATURES:			
34	60777	1	Clamp, hose - .312 fuel hose crimp style
35	12227	1	Hose, oil drain .375 X 20, 30R7
36	60766	1	Valve, drain 18MM-1.5 w/nipple
37	13877	1	Kit, heater - fuel filter
38	15546	1	Oil heater, pan - magnetic
39	65649	1	Heater, engine - low rad hose
40	15547	1	Blanket, battery for 24 series
--	11930	1	Cable, battery - 19" 4ga blk w/heat shrink 3/8"(for batt disc. opt.) (not shown)

KUBOTA ENGINE



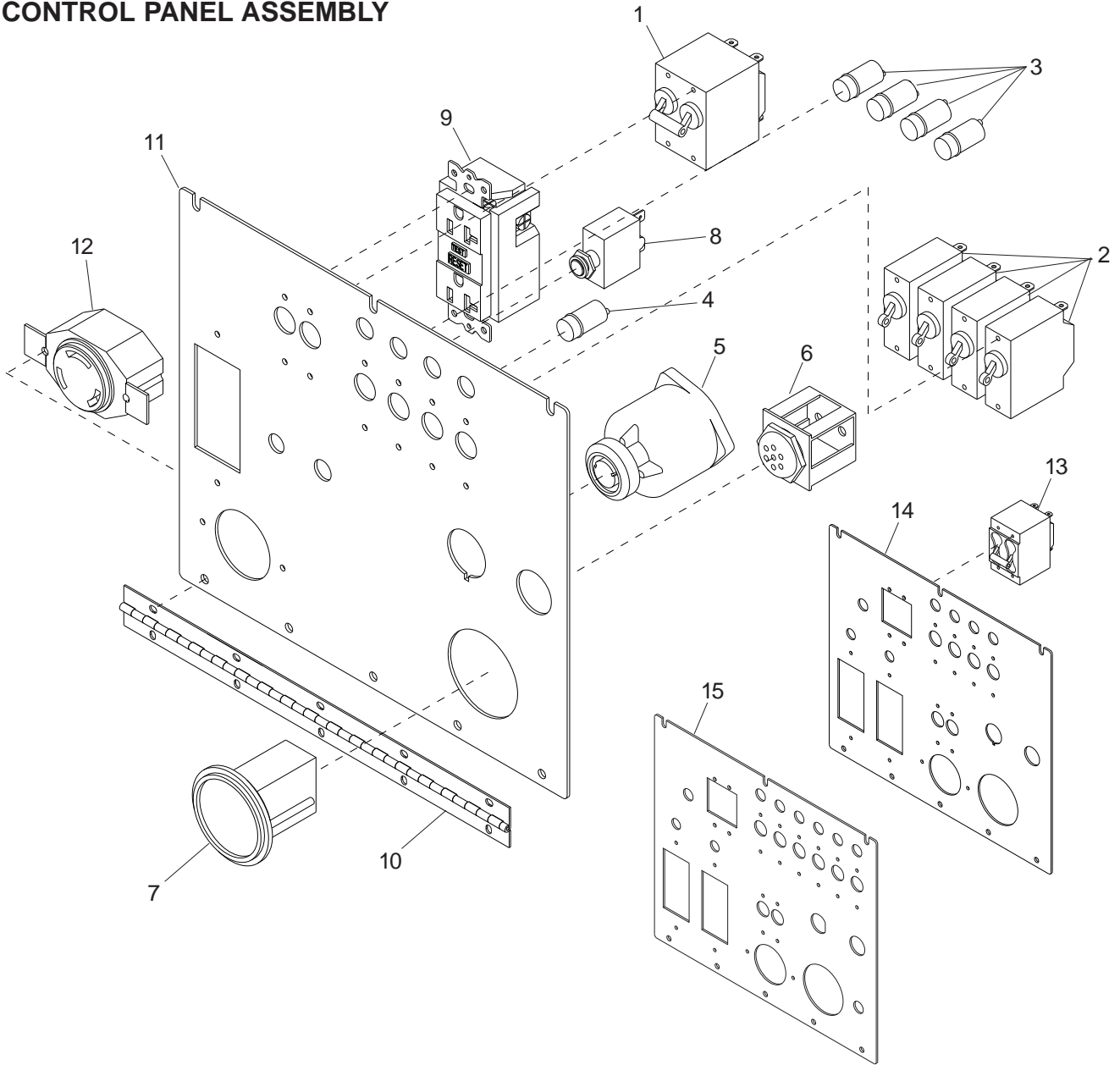
ITEM NO.	PART NO.	QTY	DESCRIPTION
1	16540	1	Radiator, with fan guard
2	12338B	2	Weldment, engine mount
3	12286	1	Engine, Kubota D905
4	16444	1	Element, air filter
5	13483B	1	Weldment, filter bracket
6	16687	1	Hose, radiator upper
7	12350	1	Hose, radiator lower
8	16589	1	Hose, air cleaner
9	16443	1	Filter, air with bracket
10	15241	4	Compression mount
11	11135B	2	Bracket, radiator
12	11413B	1	Fan Guard
13	15495	1	Kubota D905 pusher fan
14	19219	1	Cap, pressure radiator 14 psi
15	13481	1	Kubota fuel filter assembly, D905
16	13515	1	Fuel filter element
17	15021	1	Muffler, engine
18	13278*	1	Kubota, fuel pump, electric
19	11628	1	Kubota D905 V-belt
20	15146	1	Filter, oil
21	12484	1	Cap, oil filler
22	11475	1	Flange, exhaust
23	11042	2	Gasket, exhaust manifold
24	16445	1	Bracket, air cleaner housing
25	12483	1	Dipstick, engine oil
26	13018	1	Solenoid, fuel shutdown (2 wire)
27	12486	1	Alternator
-	13526	1	Kubota, joint eye, double port (not shown)
-	15375	1	Switch, oil pressure (not shown)
-	14099	1	Switch, coolant temperature (not shown)
-	15074	1	Cable, battery red 38" (not shown)
-	15073	1	Cable, battery black 24" (not shown)
-	65996	1	Assy, engine harness (not shown)
*	SEE NOTE	3	Glow plug, engine (not shown)
*	SEE NOTE	1	Starter, engine (not shown)
*	SEE NOTE	1	Kubota, water pump (not shown)
*	SEE NOTE	1	Kubota, water pump gasket (not shown)
*	SEE NOTE	1	Thermostat assy, (not shown)

***NOTE:** Some Kubota engine parts are serial number specific. Please contact **Kubota Engine America Corp.** or the Magnum Products Technical Service Department at 1-800-926-9768 for information regarding engine parts.

OPTIONAL FEATURES:

28	60774	1	Valve, drain 22MM-1.5 w/nipple
29	12227	1	Hose, oil drain .375 X 20, 30R7
30	60777	1	Clamp, hose - .312 fuel hose crimp style
31	15546	1	Oil heater, pan - magnetic
32	65649	1	Heater, engine - low rad hose
33	15547	1	Blanket, battery for 24 series
-	11930	1	Cable, battery - 19" 4ga blk w/heat shrink 3/8"(for batt disc. opt.) (not shown)

CONTROL PANEL ASSEMBLY

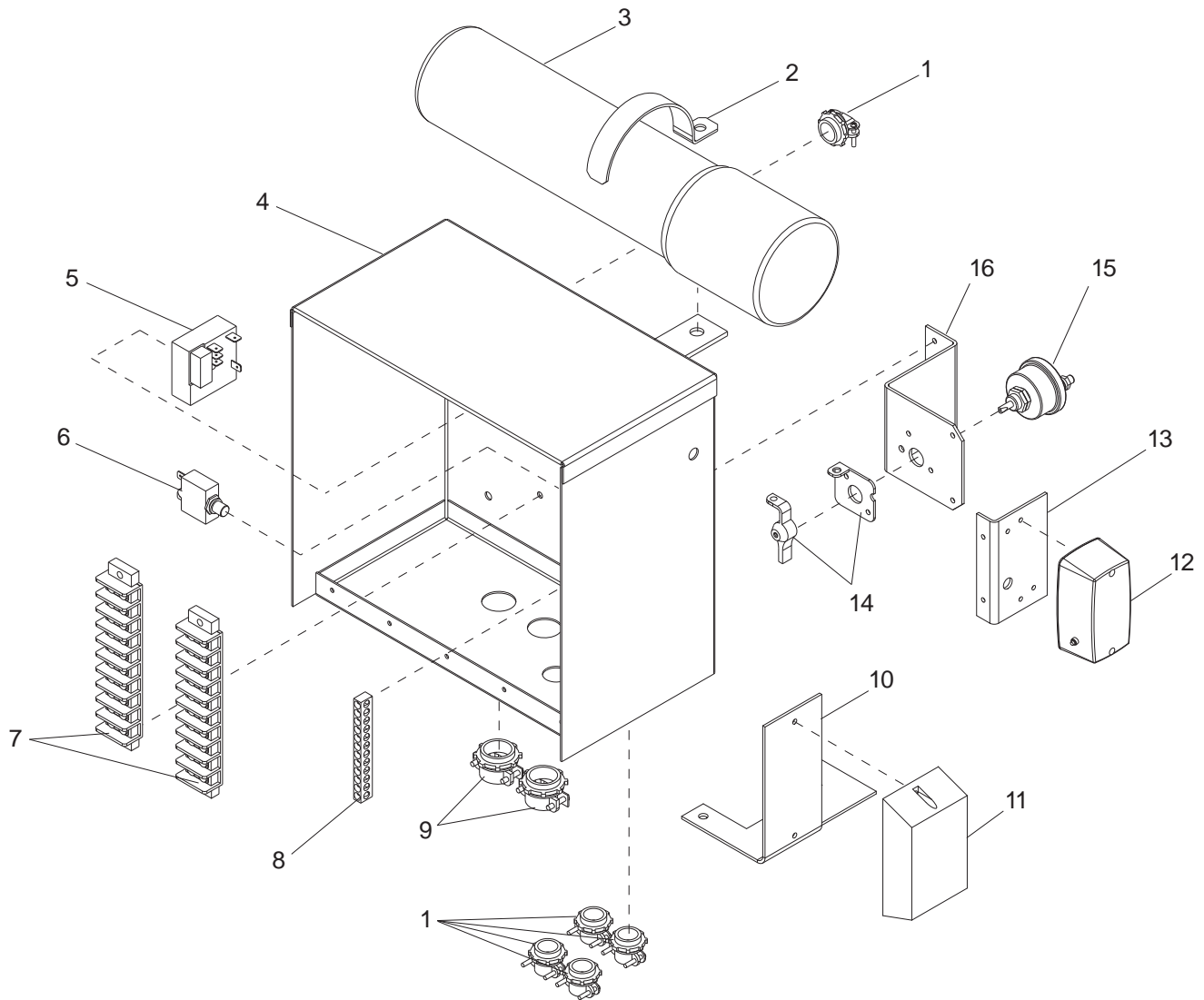


ITEM NO.	PART NO.	QTY	DESCRIPTION
1	65851	1	Breaker, main 30A, screw term
2	14249	4	Switch, toggle 15A
3	65325	4	Light, indicator (ballast)
4	65388	1	Light, indicator (main breaker)
5	15195	1	Switch, engine
6	16694	1	Indicator, glow plug - Mitsubishi only
7	15085	1	Gauge, hourmeter
8	65849	1	Breaker, 20A, 120V, 1-pole, push button
9	14130	1	Receptacle, 120V/20A GFI (5-20R) UL 2003
10	10081	1	Hinge, panel
11	10235	1	Panel, control
12	14137	1	Receptacle, 240V/30A twist (L6-30R)
--	15309	1	Key, engine (not shown)

OPTIONAL FEATURES:

13	65865	1	Breaker, 40A , screw term (w/8 kW option)
14	16734	1	Panel, control (w/8 kW generator option)
22	11269	1	Panel, control (w/8 kW gen-6 light option)

CONTROL BOX ASSEMBLY

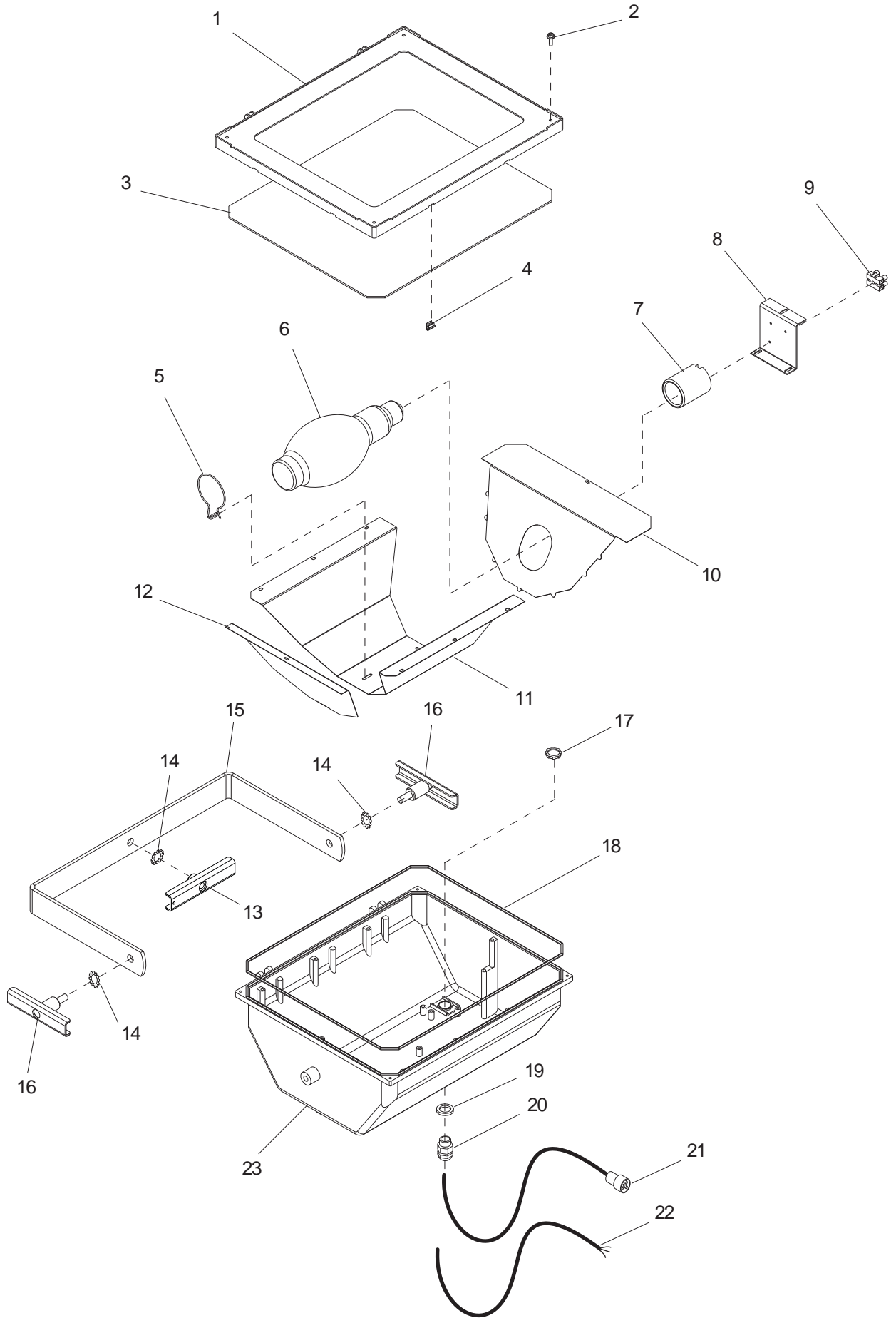


ITEM NO.	PART NO.	QTY	DESCRIPTION
1	14202	5	Strain relief - .375 Romex w/nut
2	10241	1	Clamp, 2.50 - manual holder
3	11121	1	Tube, black manual holder, 14"
4	14257B	1	Box, control
5	14201	1	Relay, 15 second fixed time delay, 10 Amp
6	65850	1	Breaker, 10A, 240V, I-pole, push button
7	14203	2	Block, terminal - 10 pos.
8	14204	1	Kit, ground bar
9	14219	2	Strain relief - .75 Romex w/nut

OPTIONAL FEATURES:

10	13006B	1	Bracket, battery charger - 2 Amp, 3 stage
11	65326	1	Charger, battery - 2 Amp, 3 stage
12	11947	1	Light, interior with switch
13	11949B	1	Bracket, control box light mount
14	65499	1	Switch lockout lever kit
15	65498	1	Switch, disconnect
16	12110	1	Bracket, battery lock-out switch

LIGHT ASSEMBLY

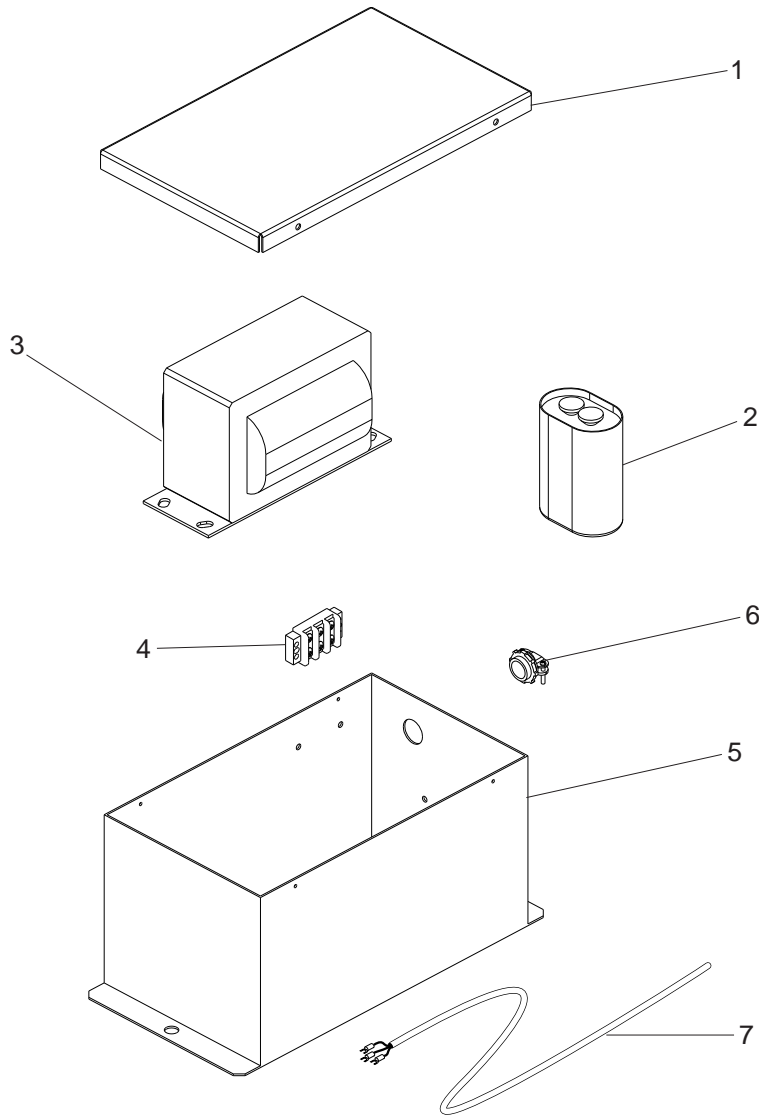


ITEM NO.	PART NO.	QTY	DESCRIPTION
1	11393	1	Cover, Magnum light
2	61059	4	Screw, 10-32X1 slot hex w/flange SS
3	11303	1	Lens, Magnum rectangular light
4	11392	8	Clip, glass Magnum light
5	11398	1	Support, bulb Magnum light
6	11391	1	Bulb - 1000W MH short length
	11465	1	Bulb - 1000W HPS short length
7	11394	1	Socket, Magnum light
8	11460	1	Bracket, light socket
9	65458	1	Block, terminal - 2 pos, 90A, 600V
10	11424	1	Reflector, end Magnum light
11	11399	1	Reflector, wrap around - Magnum light
12	11423	1	Reflector, hole in end - Magnum light
13	12993Z	1	Weldment, wing nut - Magnum light
14	60369	3	Washer, ext star lock M12
15	12991Z	1	Bracket, trunnion - Magnum light
16	12992Z	2	Weldment, wing bolt - Magnum light
17	15861	1	Nut, .500 NPT lock
18	11456	1	Gasket, lens
19	15697	1	Washer, rubber sealing - .500NPT
20	15864	1	Strain relief - .50NPT watertight
21	14166	1	Cord, 3 ft. w/quick disconnect plug
22	11457	1	Cable, light - hard wire
23	11400	1	Housing - Magnum light
-	65485	1	Kit, reflector 1000W (parts 10-12)
-	11402	1	Assy, light fixture - 1000W MH non quick-disc.
-	11790	1	Assy, light fixture - 1000W HPS non quick-disc.
-	12997	1	Assy, light fixture - 1000W MH quick disc.
-	11955	1	Assy, light fixture - 1000W HPS quick disc.

METAL HALIDE BALLAST BOX ASSEMBLY

⚠ WARNING

Do not mix metal halide and high pressure sodium ballast parts.
Equipment damage or personal injury may result.

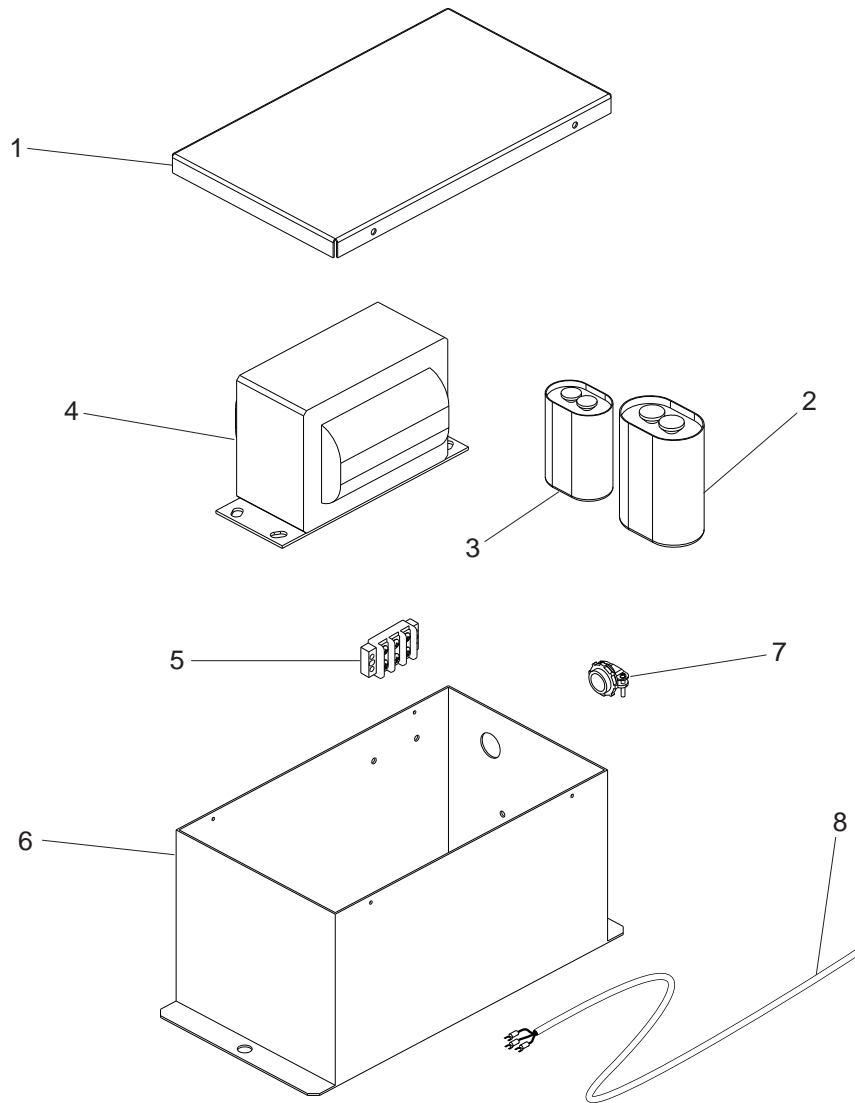


ITEM NO.	PART NO.	QTY	DESCRIPTION
1	11079	1	Cover, ballast box
2	14679	1	Capacitor, metal halide
3	11166	1	Transformer, metal halide
4	14158	1	Block, terminal
5	11078	1	Box, ballast
6	14202	1	Strain relief, 3/8"
7	16214	1	Assembly, ballast cable
-	10227	1	Assembly, transformer & cap set
-	11144	1	Assembly, ballast box (complete, items 1-6)

HIGH PRESSURE SODIUM BALLAST BOX ASSEMBLY - OPTIONAL

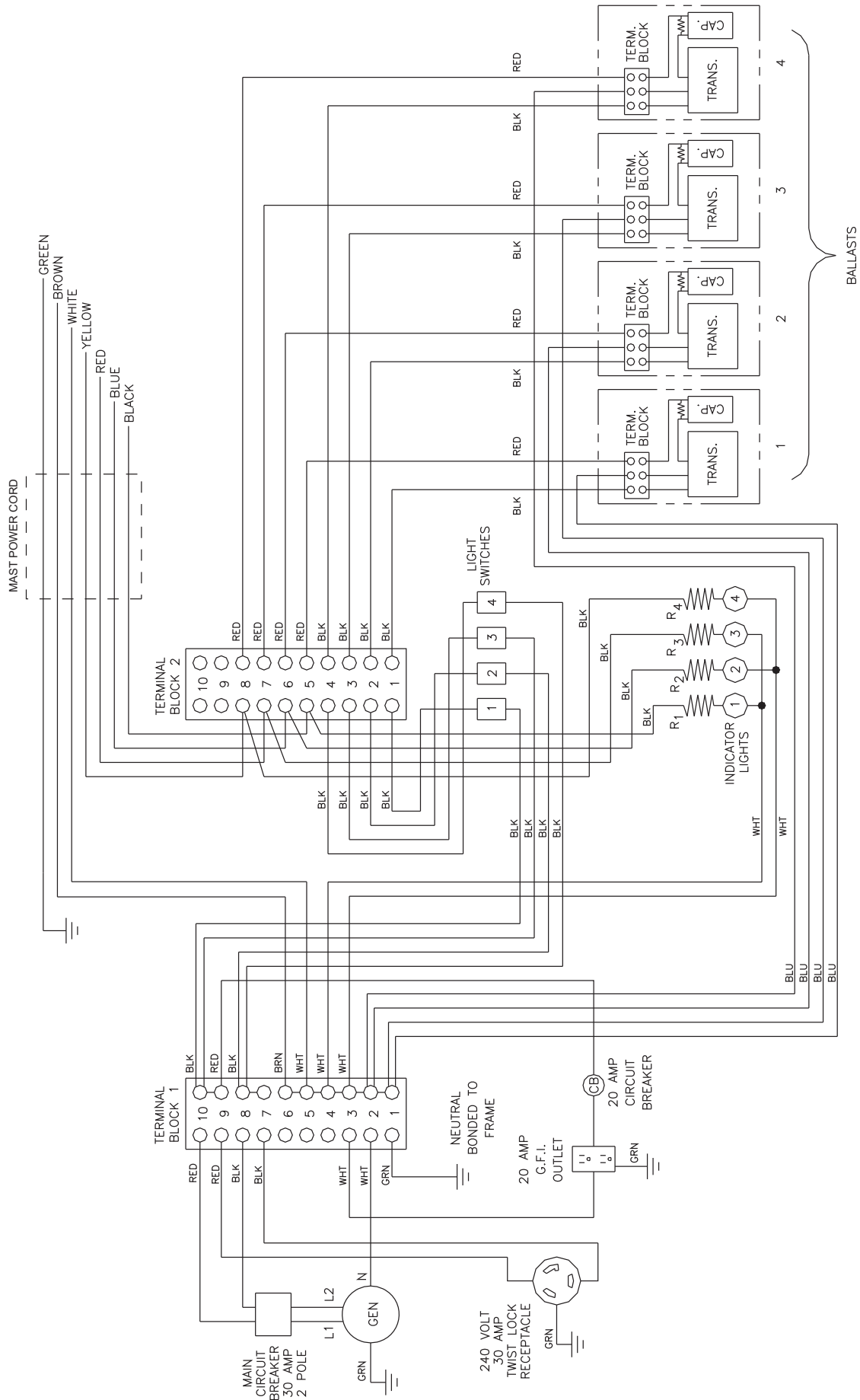
⚠ WARNING

Do not mix metal halide and high pressure sodium ballast parts.
Equipment damage or personal injury may result.

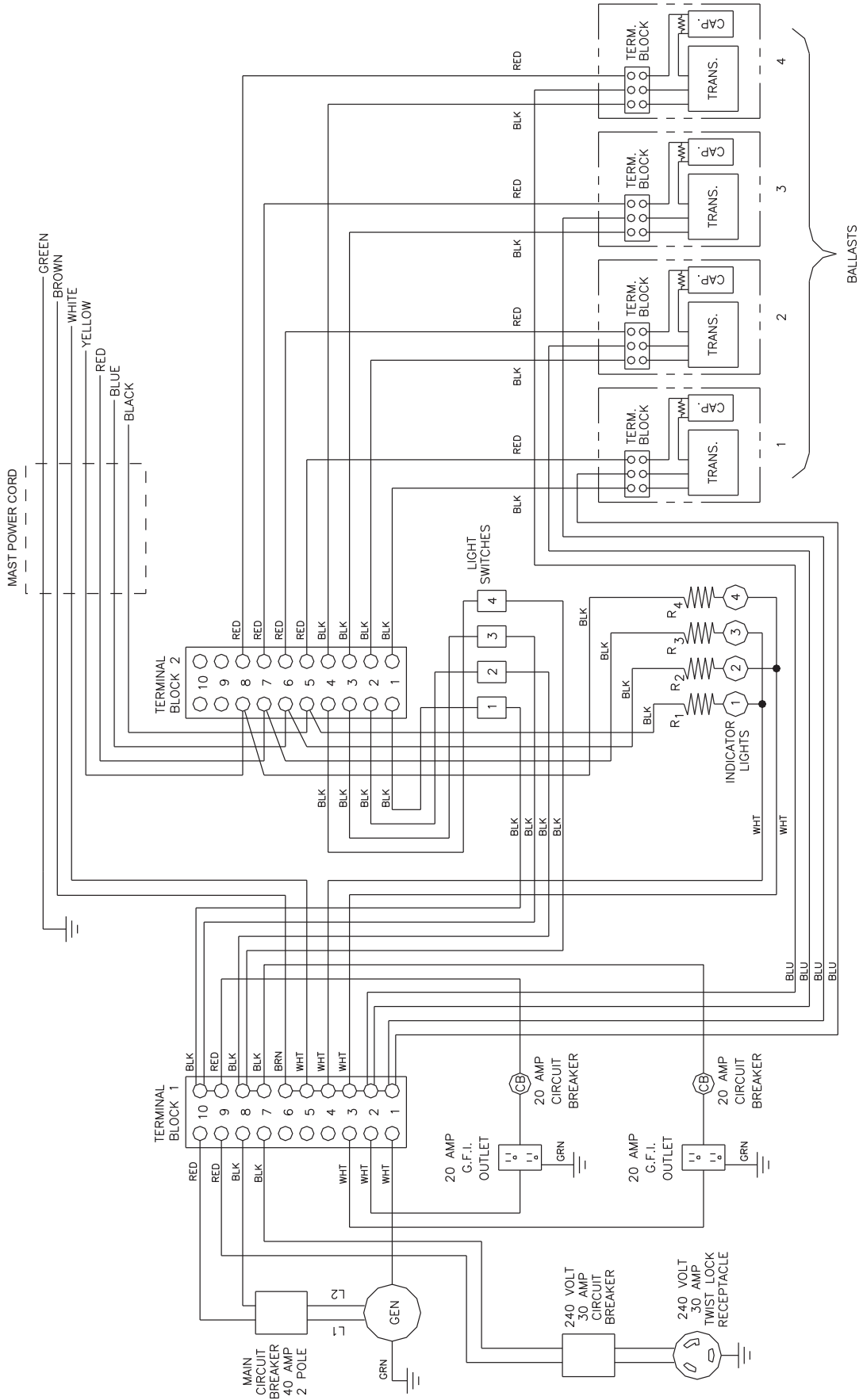


ITEM NO.	PART NO.	QTY	DESCRIPTION
1	11079	1	Cover, ballast box
2	14782	1	Capacitor, sodium light
3	14783	1	Ignitor, sodium light
4	11167	1	Transformer, sodium light
5	14158	1	Block, terminal
6	11078	1	Box, ballast
7	14202	1	Strain relief, 3/8"
8	16214	1	Assembly, ballast cable
-	11168	1	Assembly, transformer & cap set
-	11326	1	Assembly, ballast box (complete, items 1-7)

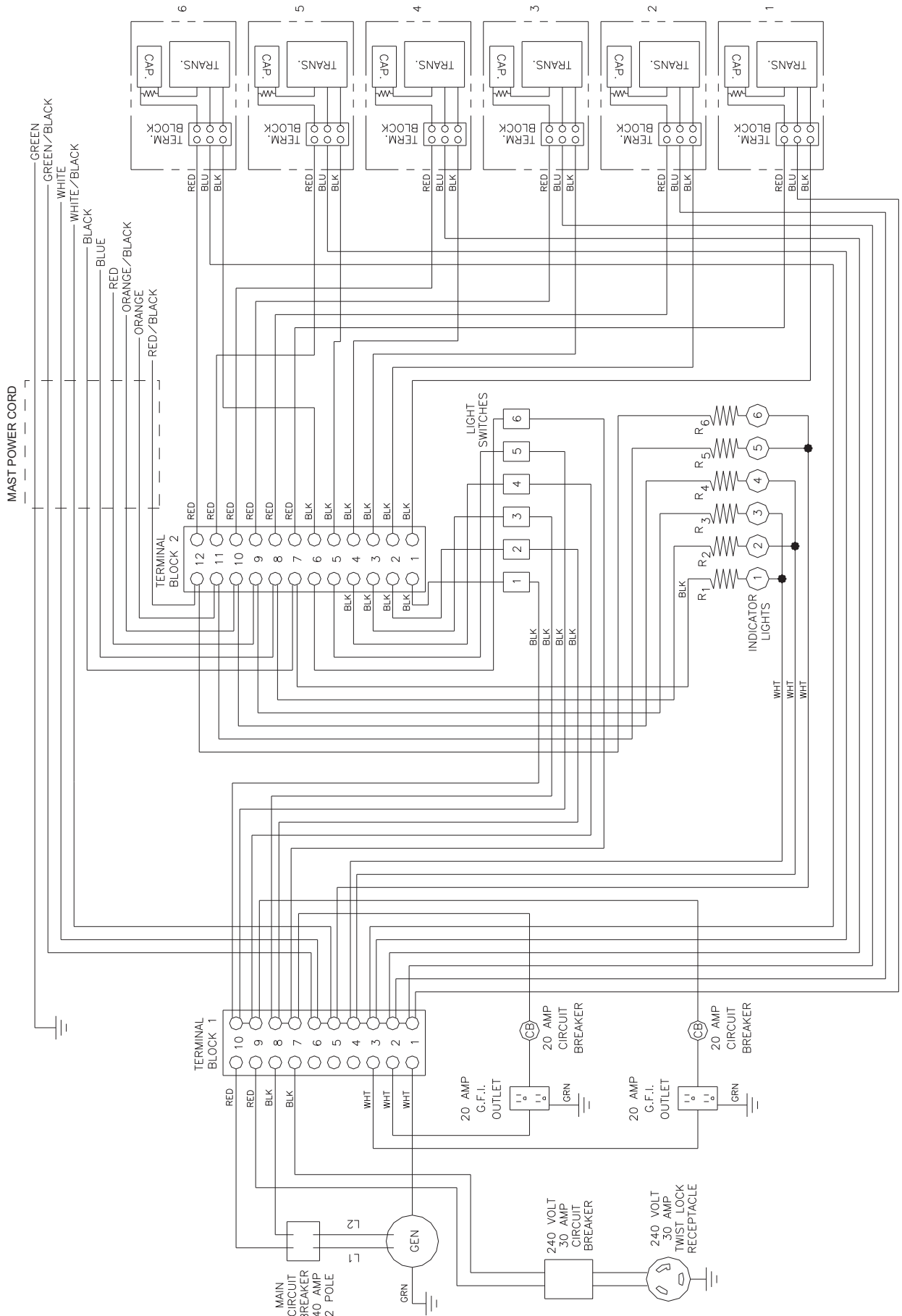
AC CIRCUIT WIRING DIAGRAM - MODEL 5060



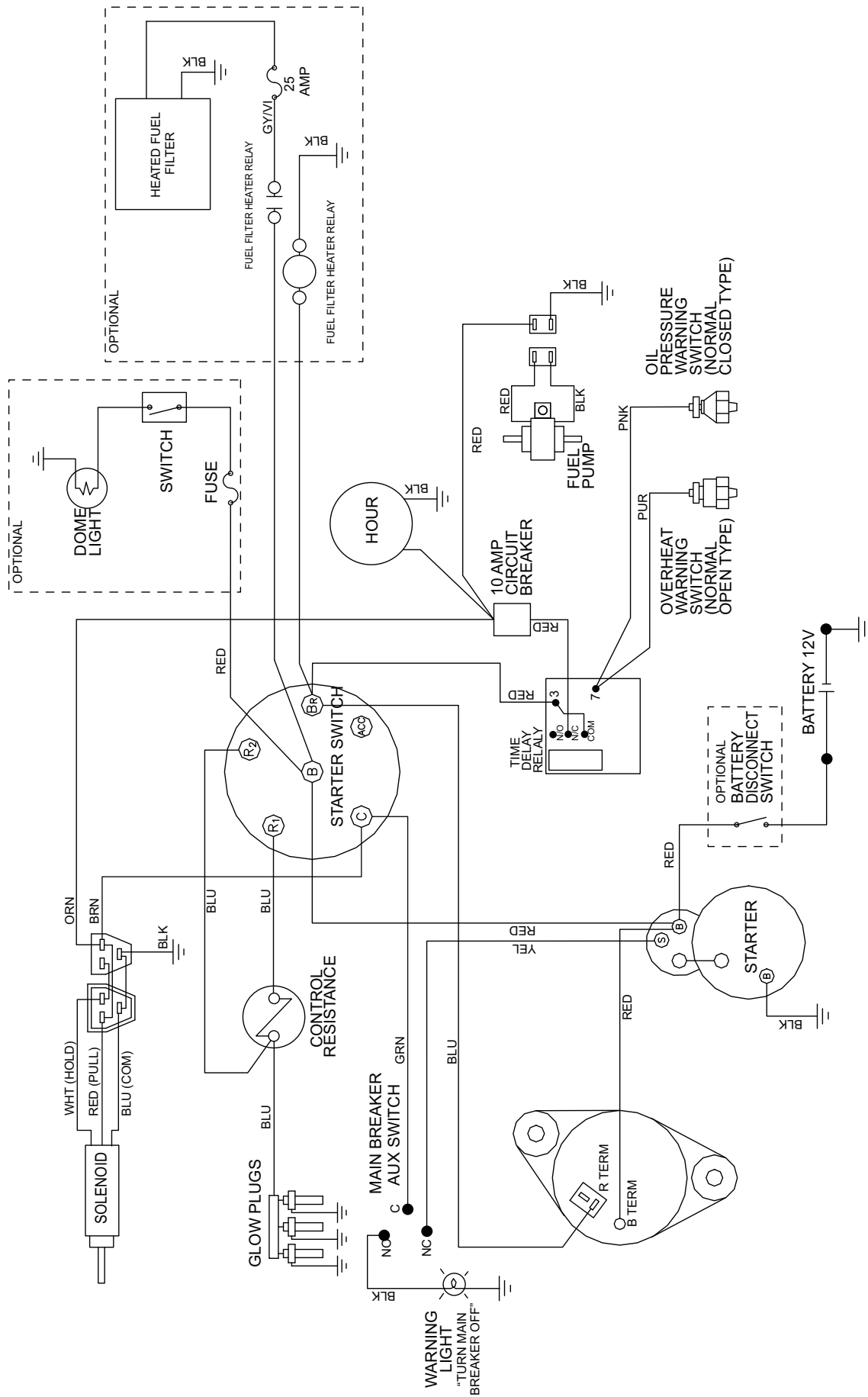
AC CIRCUIT WIRING DIAGRAM - MODEL 5080 (4 LIGHT)



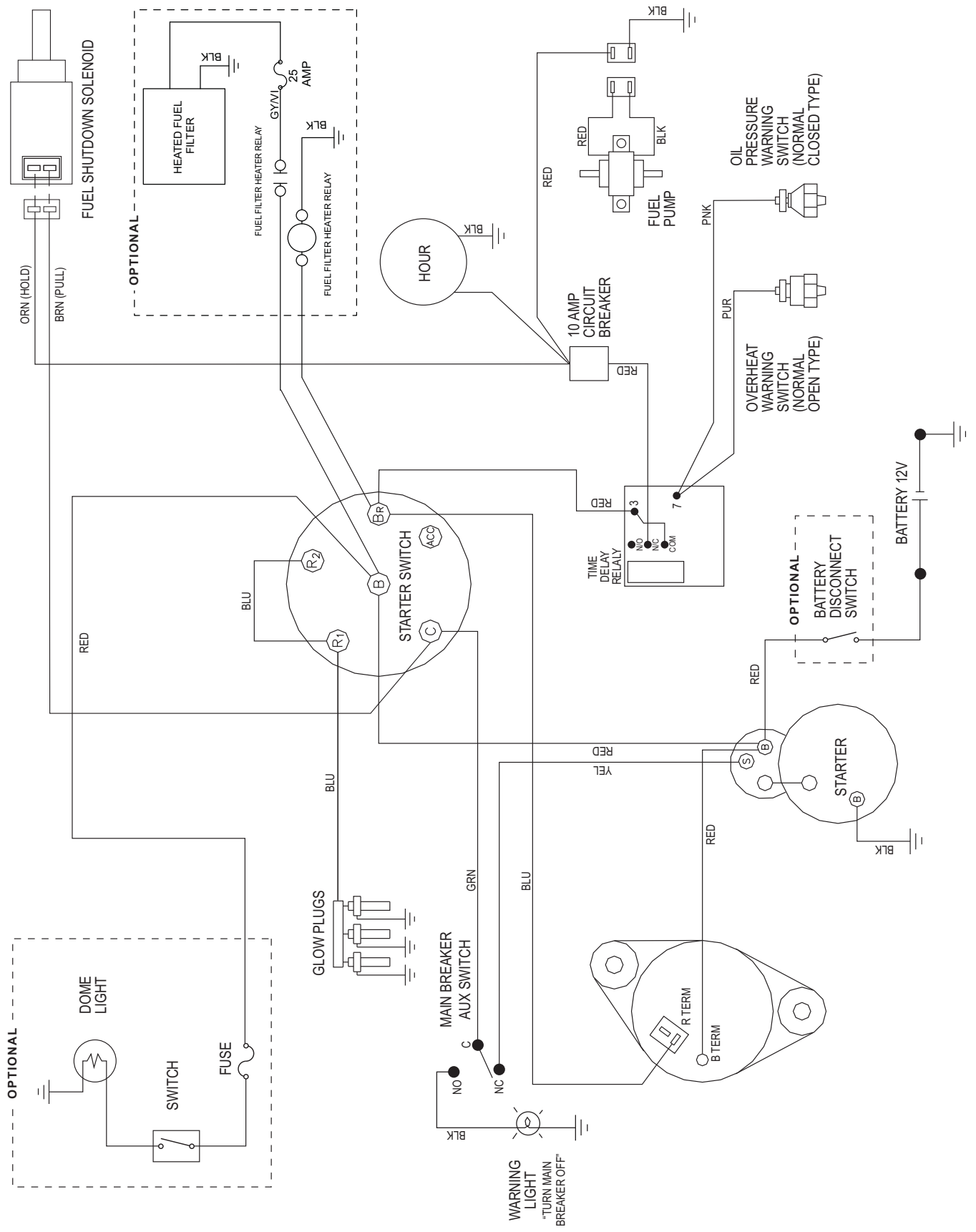
AC CIRCUIT WIRING DIAGRAM - MODEL 5080 (6 LIGHT)



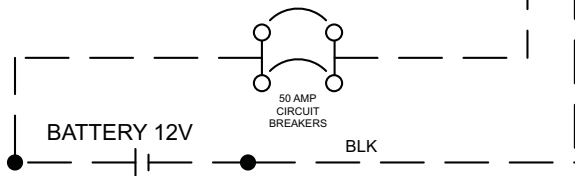
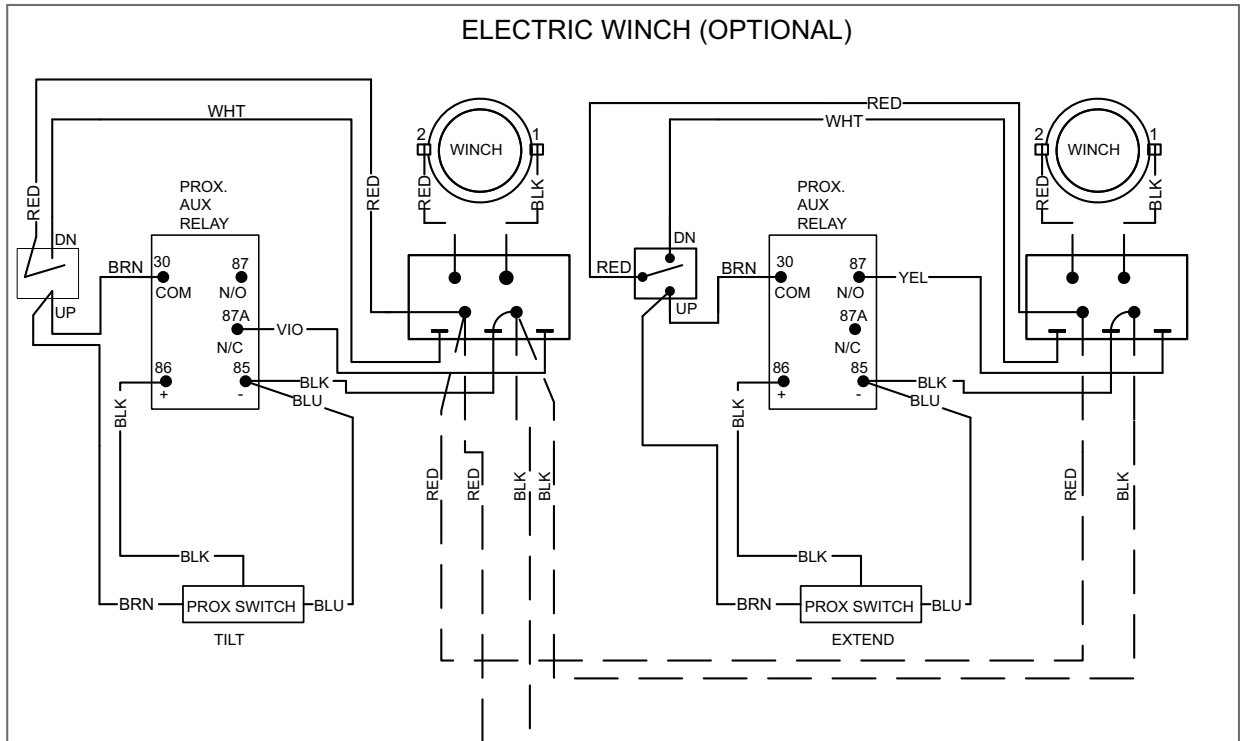
DC CIRCUIT WIRING DIAGRAM - MITSUBISHI ENGINE



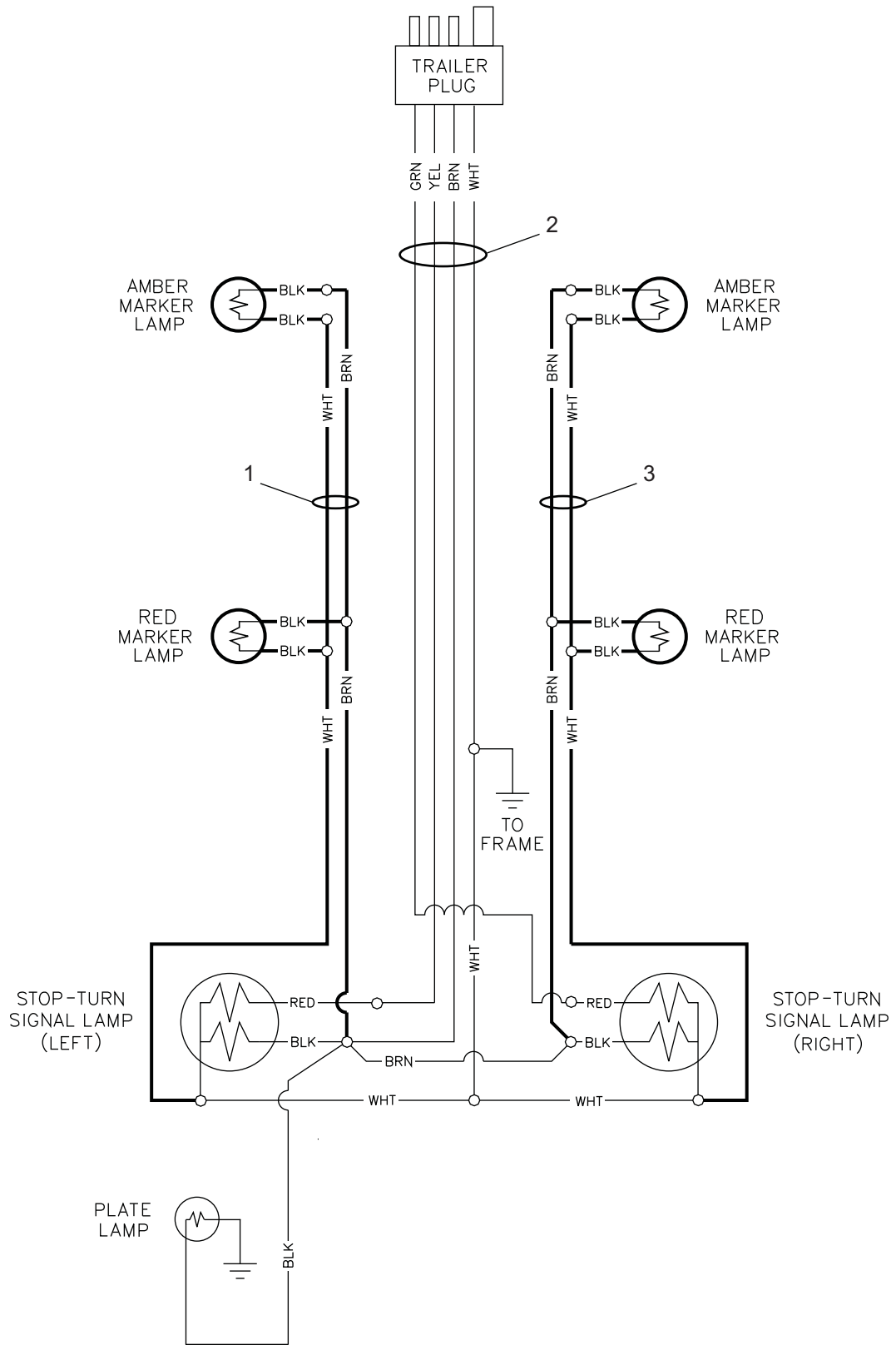
DC CIRCUIT WIRING DIAGRAM - KUBOTA ENGINE



DC CIRCUIT WIRING DIAGRAM - DUAL ELECTRIC WINCH

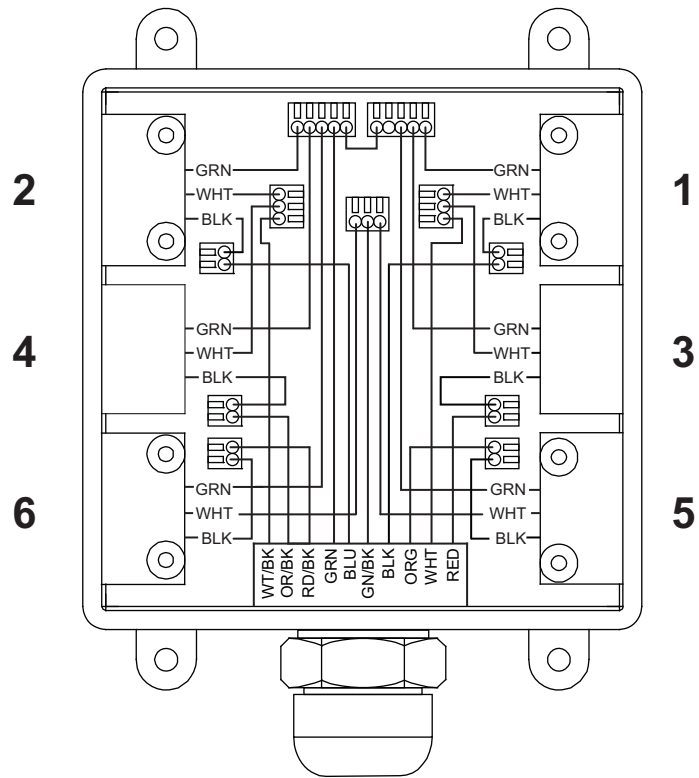
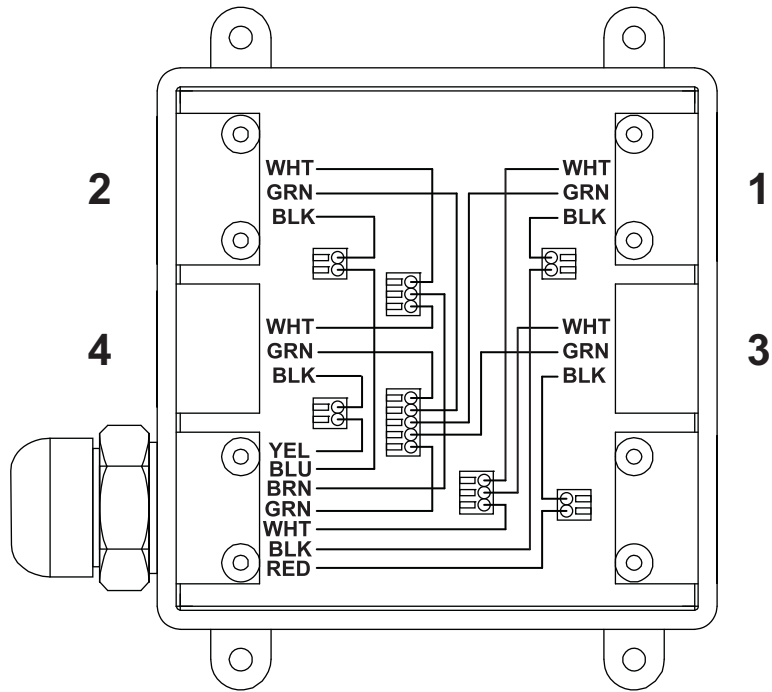


TRAILER LIGHTS WIRING



ITEM NO.	PART NO.	QTY	DESCRIPTION
1	10264	1	Harness, left side trailer
2	12602	1	Assy, trailer light harness - 5000
3	10265	1	Harness, right side trailer
-	65441	-	Adapter, pig-tail trailer light 4-pin to 12-pin
-	65465	-	Adapter, trailer wiring flat 4 to rnd 7 blade
-	65464	-	Adapter, trailer wiring flat 4 to rnd 7 pin
-	65463	-	Adapter, trailer wiring flat 4 to rnd 6 pin
-	65548	-	Adapter, 4 pin flat to 4 pin flat X 12.00

MAST JUNCTION BOX WIRING



REV: R
PART NO: 16859
08.27.08